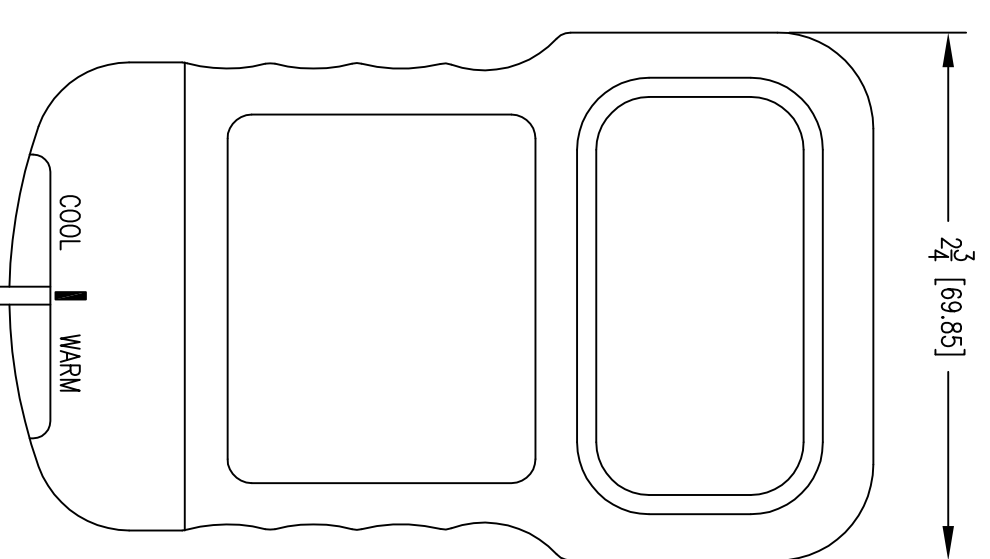
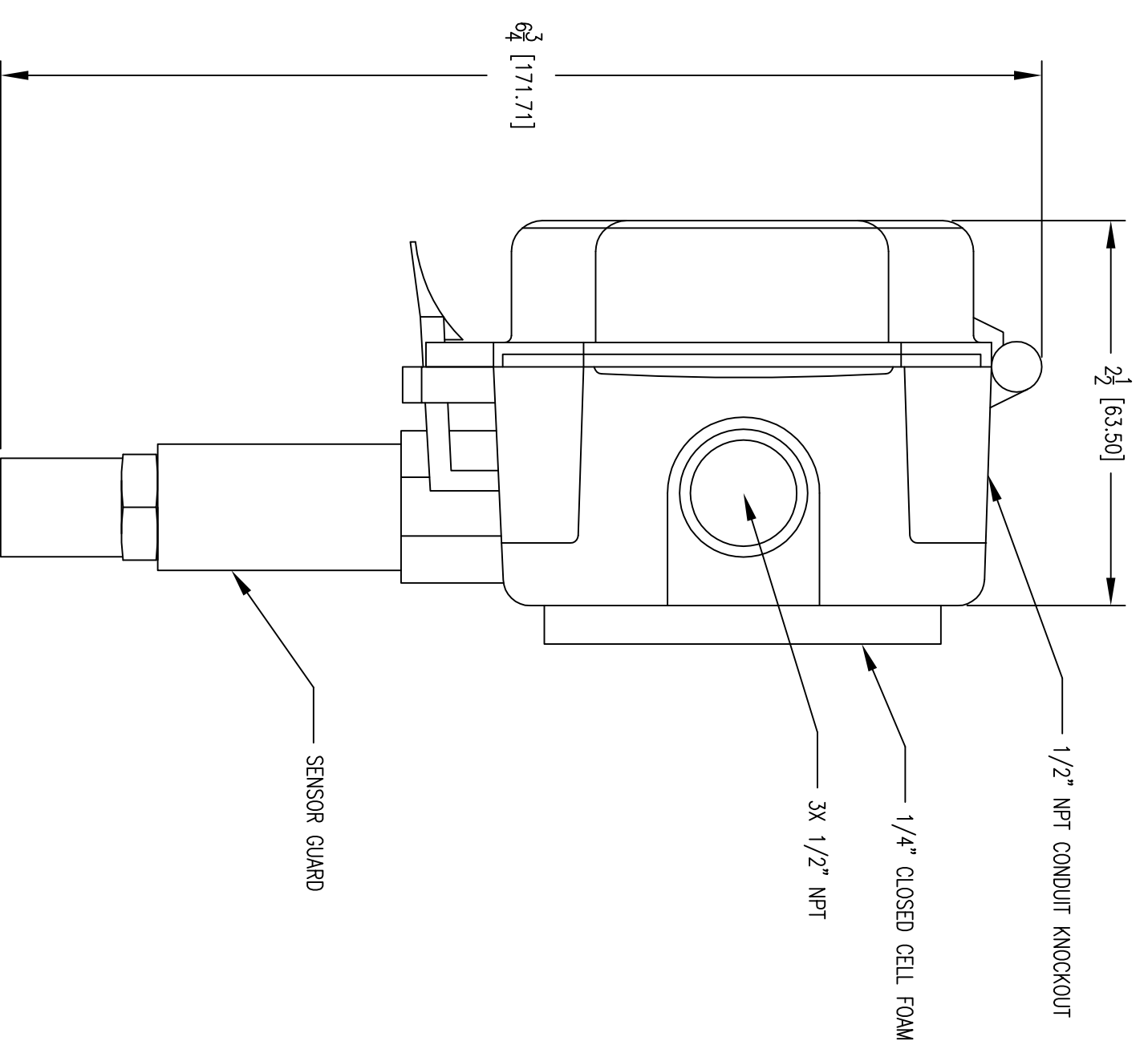
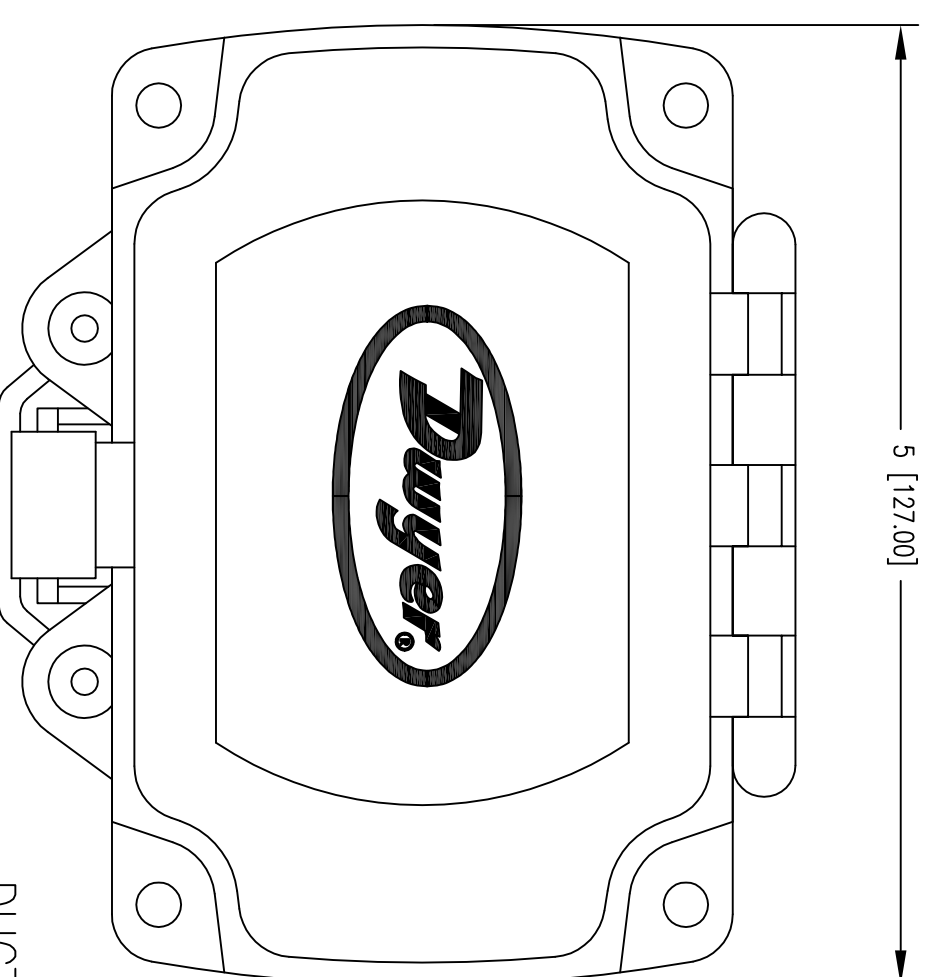
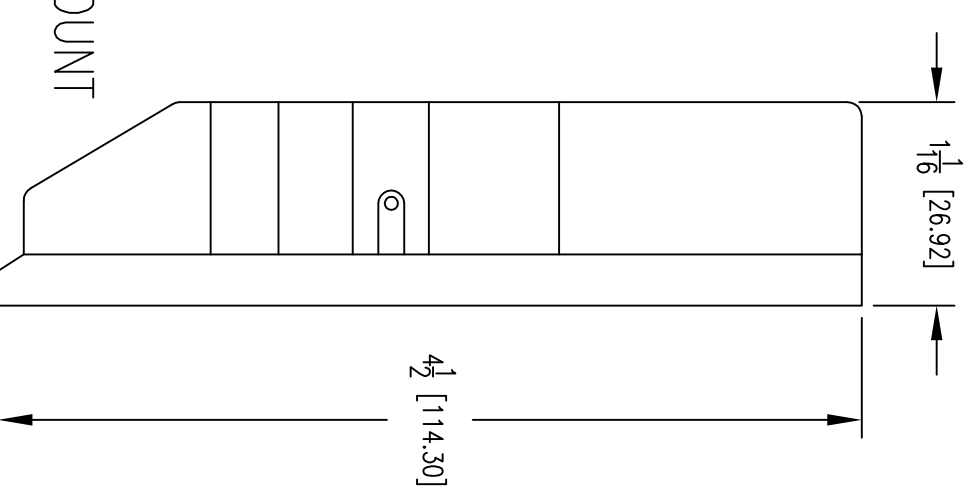


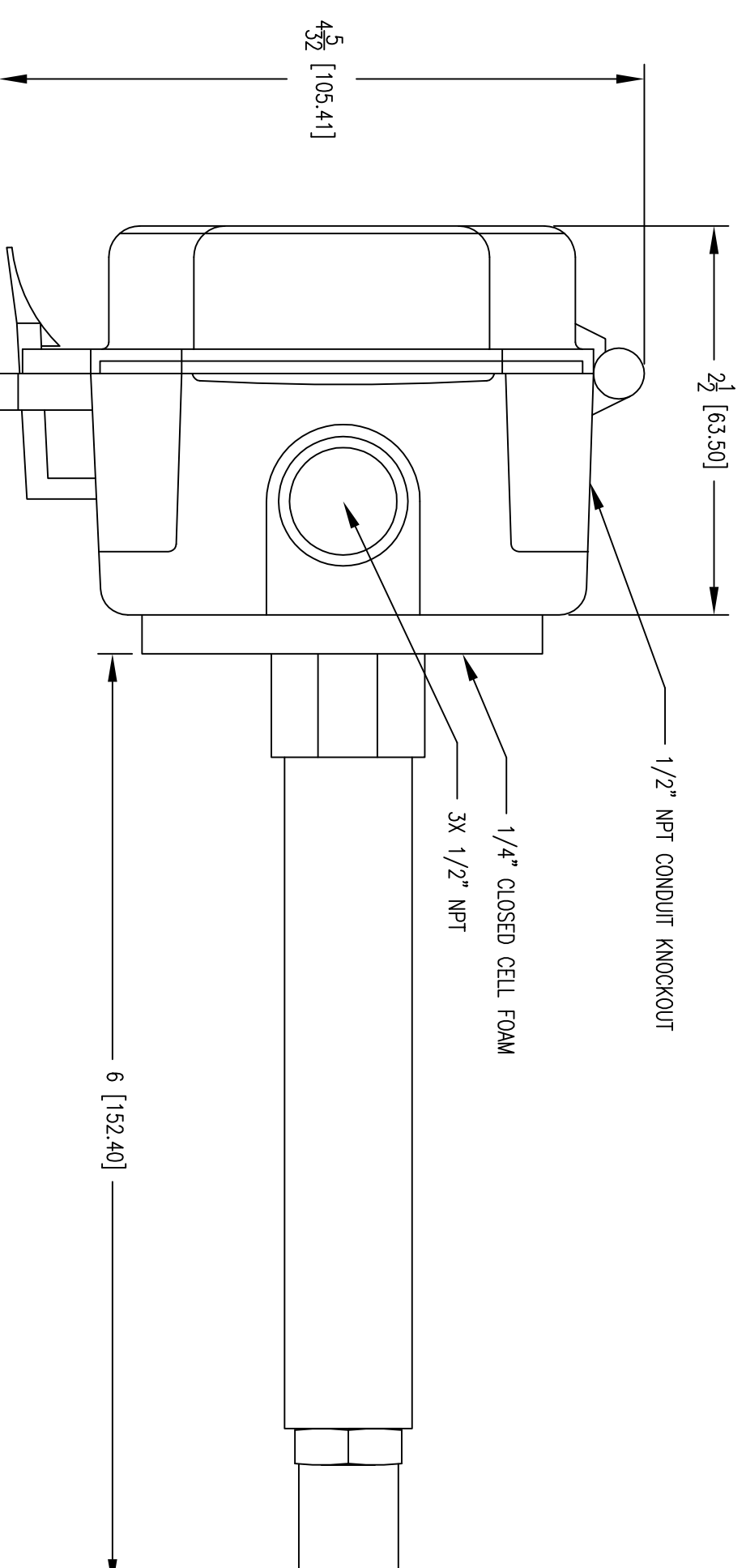
OSA MOUNT



WALL MOUNT



DUCT MOUNT



SCALE 1:1

NO.		CHANGES		DATE		NAME	
				DWN BY		WHP SERIES	
				CHKD		HUMIDITY/TEMPERATURE	
				APPD		SENSOR	
				BY/DATE			
<p>ACAD2002</p>							
<p>FR. NO.</p>							
<p>FR. NO.</p>							

Ⓞ = CRITICAL DIMENSION
 STANDARD TOLERANCES UNLESS NOTED:
 ALL DECIMAL DIMENSIONS ± .005
 ALL ANGLES ± 1°

NOTICE: The drawing and the principles and elements of design embodied therein are the exclusive property of DWYER INSTRUMENTS, INC. and are made available for examination without the written consent of said corporation.

DWYER INSTRUMENTS, INC.
 MICHIGAN CITY, INDIANA 46360 U.S.A.