

## Completely pre-assembled Signal Towers / CleanSIGN CleanSIGN BM Contin. tone 24VDC MC



<b>Part No.:</b>	<b>695.010.55</b>
<b>Series:</b>	<b>CleanSIGN</b>



### MECHANICAL DATA

Length	152 mm
Width	112 mm
Height	390 mm
Diameter	77 mm
Materials	PA
Dome colour	Clear
Housing colour	Black
Protection category	IP67 IP69K
Connection	Screw terminals
cross-sectional area maximum	1,50mm <sup>2</sup> / 16AWG
Type of fixing	Base mounting
Working temperature minimum	-30°C
Working temperature maximum	+50°C
Weight with packaging	587 g
Product weight	447 g

### ELECTRICAL DATA

Operating voltage	24V
Operating voltage type	DC
Operating voltage tolerance	+/- 10%
Rated operational voltage	24 VDC
Rated operational current	270 mA
Rated inrush current	1.000 mA
Protection class	Protection class 2
Pollution degree	3

### OPTICAL DATA

Light source	LED
Light colour	MC 7 colours
Optical signal image	Blink EVS Permanent
Blink frequency	1 Hz
Service life optical	50,000 h maximum

### ACOUSTIC DATA

Volume (max) at 1m distance	85,0 dB (A)
Acoustic signal image	Continuous tone
Audio frequency	2400 Hz



For additional installation and mounting information, refer to the appropriate user guide at [www.werma.com](http://www.werma.com). This printed copy is for information only and is subject to alteration.

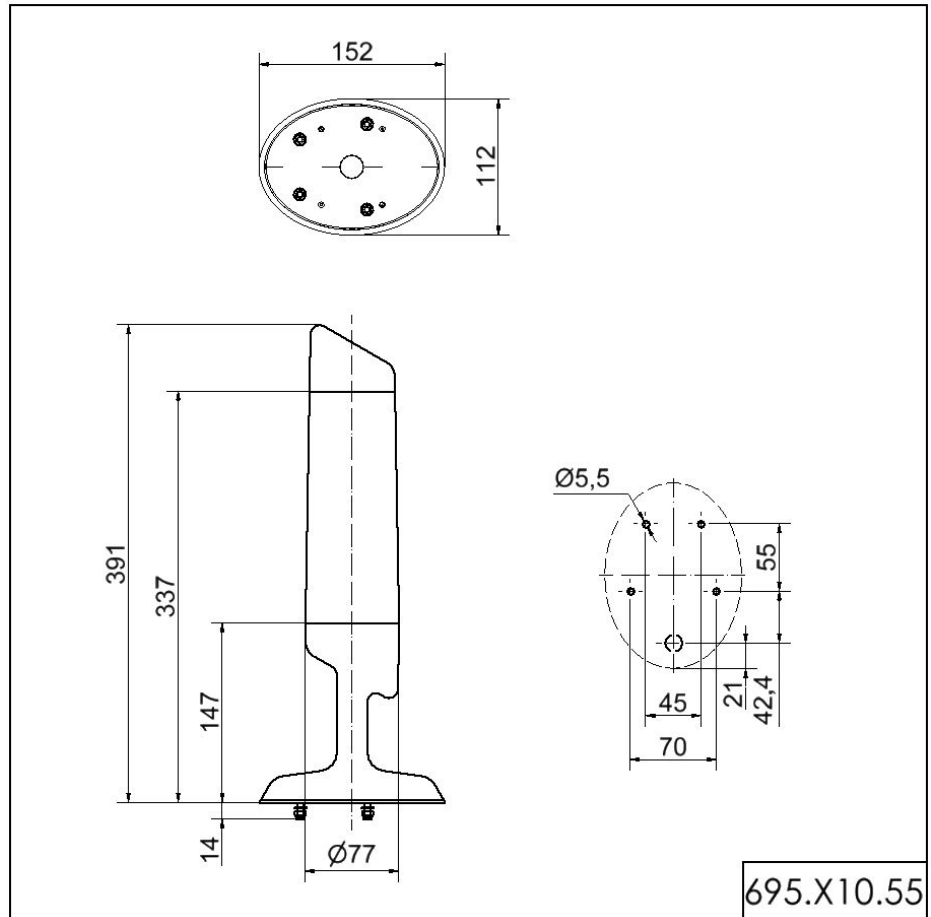
Completely pre-assembled Signal Towers / CleanSIGN  
**CleanSIGN BM Contin. tone 24VDC MC**

Acoustic service life	5,000 h minimum
<b>APPROVAL DATA</b>	
Conforms with CE	Yes
Conforms with RoHS directive	Yes
WEEE	No
Conforms with ATEX-directive	No
Conforms with CCC	No
Conforms with UL	No
Conforms with FCC	No
Conforms with IC	No
EAC certificate available	Yes
Conforms with UKCA (Importer)	Yes (WERMA (UK) Ltd.)
Conforms with CMIM	No
Conforms with AS-I	No
ICAO Certification	No
Conforms with DNV	No
Conforms with RoHS CN	No
Conforms with VdS	No

**!** For additional installation and mounting information, refer to the appropriate user guide at [www.werma.com](http://www.werma.com). This printed copy is for information only and is subject to alteration.

Completely pre-assembled Signal Towers / CleanSIGN  
**CleanSIGN BM Contin. tone 24VDC MC**

**DRAWING**



For additional installation and mounting information, refer to the appropriate user guide at [www.werma.com](http://www.werma.com). This printed copy is for information only and is subject to alteration.