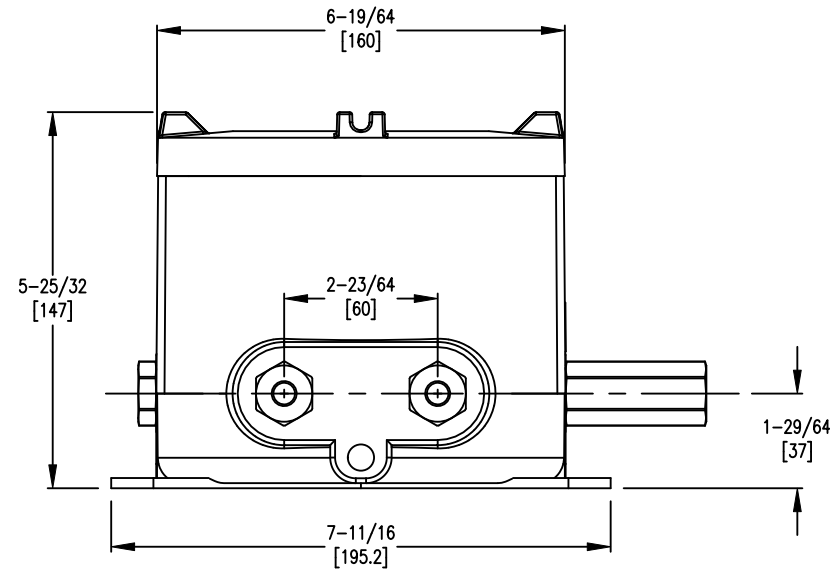
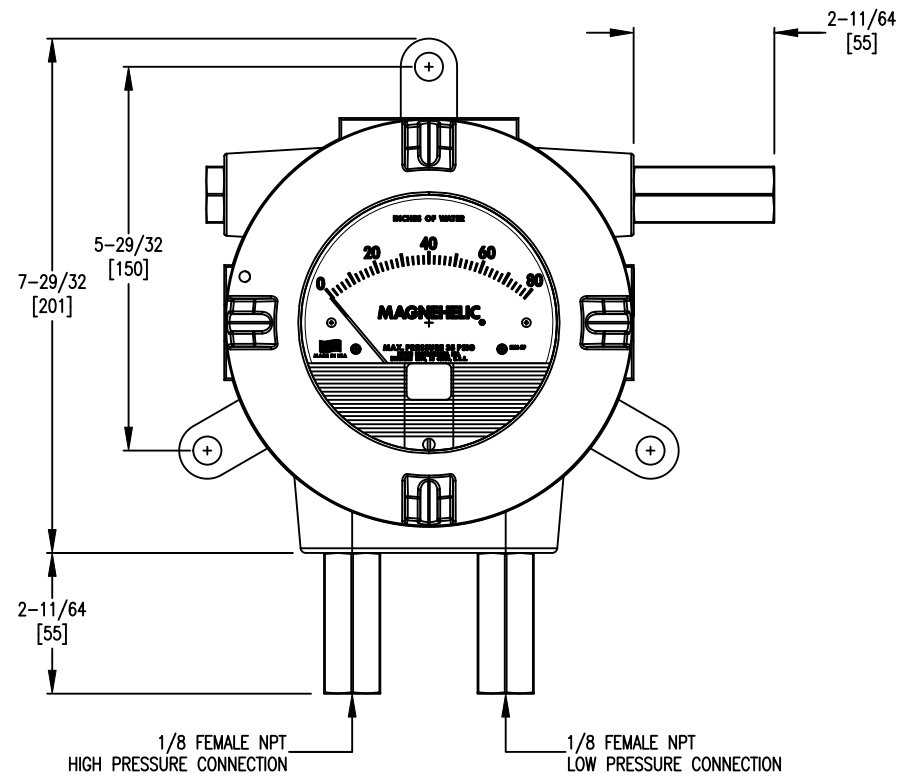
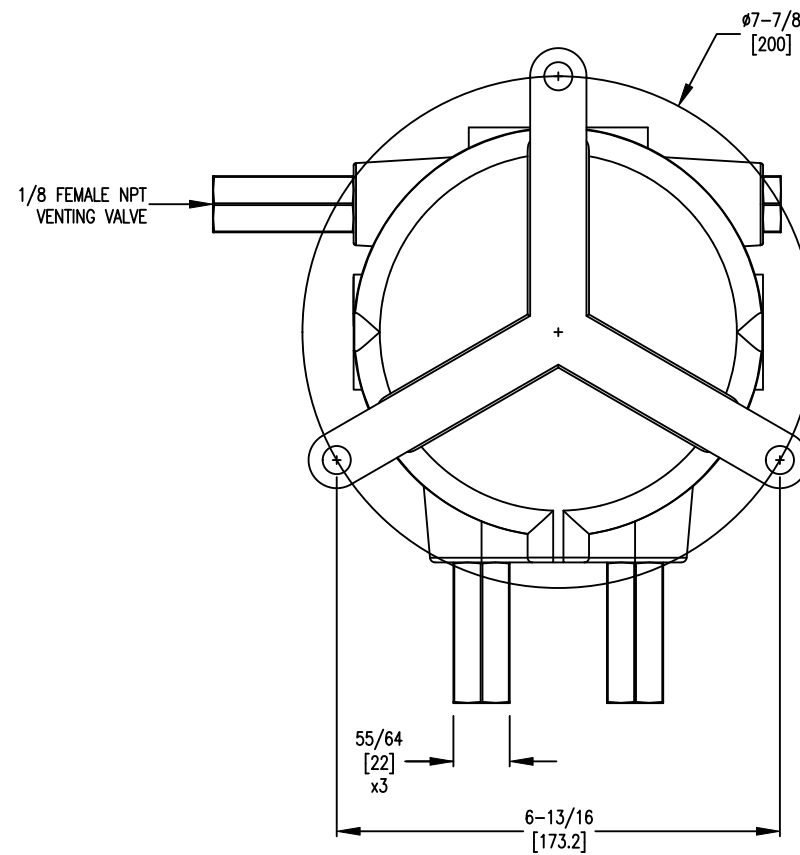


AT-101NA-2000 (VS1 / DTC014 / W)



AT-101NA-2000 (VS1 / DTC014 / BACKSIDE VIEW)



Ⓢ = CRITICAL DIMENSION  
 STANDARD TOLERANCES UNLESS NOTED:  
 ALL DECIMAL DIMENSIONS ± .005  
 ALL ANGLES ± 1°

SCALE 3:1

			DATE 06-08-20	NAME ARTWORK, SERIES 2000 WITH ATEX/IECEX CERTIFIED ALUMINUM ENCLOSURE W/WINDOW STD PRESSURE PORT STD VENTING VALVE (FOR REFERENCE ONLY)	MATERIAL
			DWN BY DPR		FINISH
			CHKD JEO		<b>DWYER INSTRUMENTS, INC.</b> MICHIGAN CITY, INDIANA 46360 U.S.A.
1	UPDATED MODEL FORMAT AND MODIFIED THE DIMENSIONS PER ECR-046903	DPR 10-12-20	APPD FAE	ACAD2002	
NO.	CHANGES	BY/DATE			FR. NO. 701456-21
NOTICE: This drawing and the principles and elements of design embodied therein are the exclusive property of DWYER INSTRUMENTS, INC. and are not to be communicated, disclosed, reproduced or used except as previously authorized in writing by such corporation and must not be submitted to outside parties for examination without the written consent of said corporation.					3