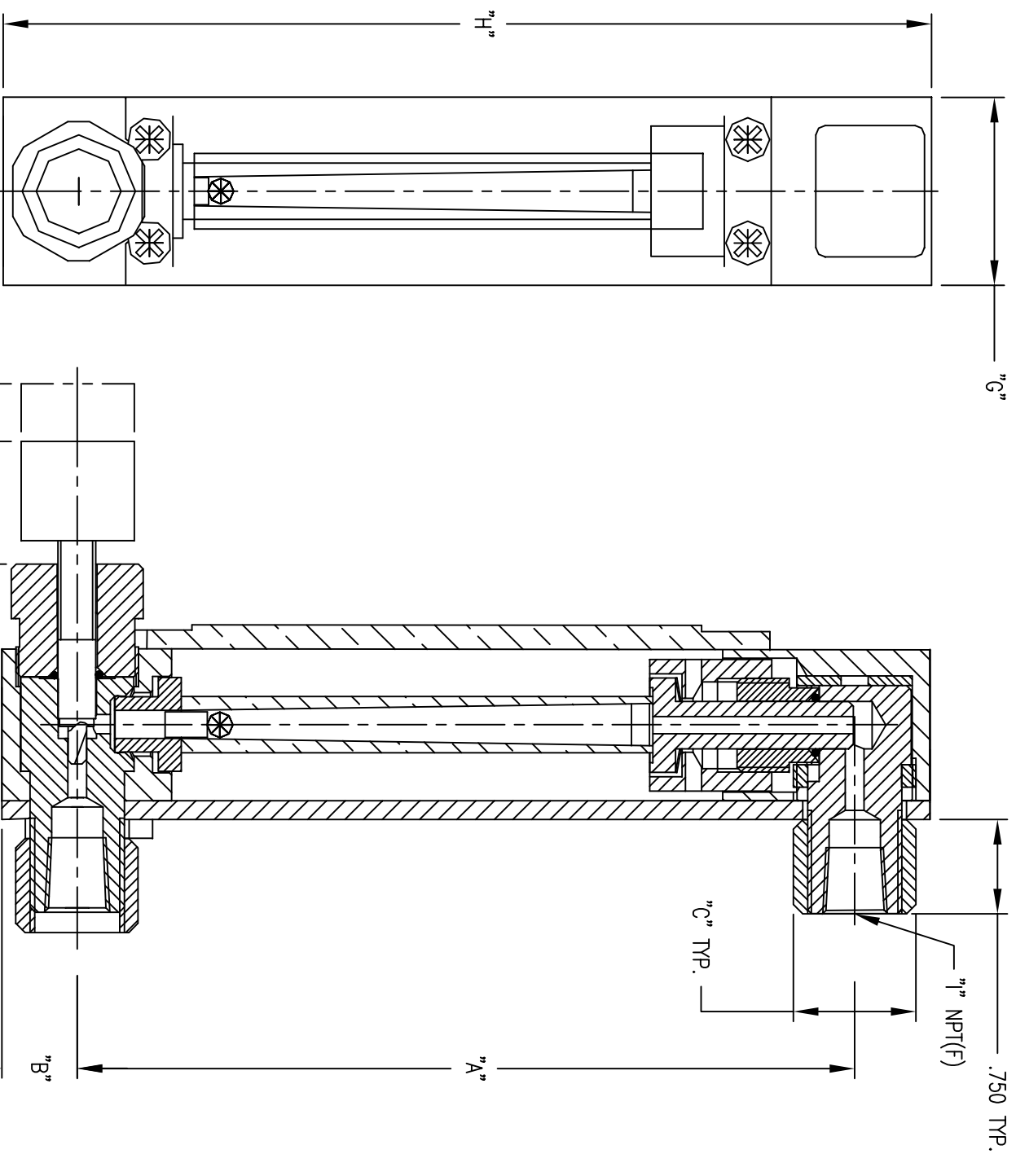


MODEL	A	B	C	D	E	F	G	H	I	SCALE LENGTH
TVA11XX	4.970	.560	1.060	3.350	3.150	1.520	1.250	6.160	1/4" NPT	75mm
TVA13XX	4.970	.560	1.250	4.650	4.250	1.820	1.500	6.160	3/8" NPT	75mm
TVA22XX	8.720	.88	1.750	4.570	4.070	2.120	2.000	10.400	1/2" NPT	125mm
TVA24XX	8.470	1.000	1.750	5.950	5.950	2.320	2.250	10.400	3/4" NPT	125mm



SCALE 1:1

Ⓒ = CRITICAL DIMENSION
 STANDARD TOLERANCES UNLESS NOTED:
 ALL DECIMAL DIMENSIONS ± .005
 ALL ANGLES ± 1°

NO.		DATE		NAME		MATERIAL	
		DWN BY		TVA SERIES FLUOROPOLYMER FLOWMETER		FINISH	
		CHKD				DWYER INSTRUMENTS, INC. MICHIGAN CITY, INDIANA 46360 U.S.A.	
CHANGES		BY/DATE		ACAD2002		FR. NO.	
				3			

NOTICE: This drawing and the principles and elements of design embodied therein are the exclusive property of DWYER INSTRUMENTS, INC. and are not to be communicated, disclosed, reproduced or used except as previously authorized in writing by such corporation and must not be submitted to outside parties for examination without the written consent of said corporation.