

bourdon tube pressure gauges stainless steel construction DS 4" (100mm)

MGS44

- ☒ Laser calibration
- ☒ Free zero
- ☒ Fillable with glycerine "on site"
- ☒ Wetted parts in AISI 316L
- ☒ Safety plug



They are designed for industrial use. They are suitable for tough working conditions and for aggressive fluids. An exclusive Laser calibration procedure features each instrument and allows a very precise accuracy. Filling the case with dampening liquid prevents any condensation and the entrance of corrosive atmosphere increasing its resistance to vibrations and to pulsating pressures.

1.44.2 - Glycerine Fillable Model

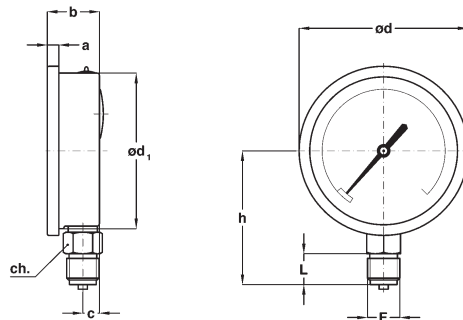
Design: EN 837-1.
Safety designation: S1 as per EN 837-2.
Ranges: from 0...1 to 0...400 bar or equivalent units.
Accuracy class: 1,6 as per EN 837-1.
Ambient temperature: -25...+65 °C.
Process fluid temperature: -25...+100 °C.
Thermal drift: max $\pm 0,4\%$ /10K of scale range (starting from - 20°C).
Working pressure:
75% of FSV for static pressure.
66% of FSV for pulsating pressure.
Over pressure limit (15 min max):
25% of FSV for pressure ranges ≤ 100 bar;
15% of FSV for pressure ranges over 100 bar.
Protection degree: IP 67 as per IEC 529.
Socket material: AISI 316L st.st.
Elastic element: AISI 316L st.st.
Case: stainless steel
Ring: stainless stees, crimped
Window: tempered glass.
Movement: copper and stainless steel.
Dial: aluminium, white with black markings, or with double red and black markings.
Pointer: not adjustable, aluminium,black.

1.44.3 - Glycerine Filled Model

Damping liquid: glycerine 98%, silicon oil.
Ambient temperature:
+15...+65 °C with glycerine filling;
-30...+65 °C with silicon oil filling.
Process fluid temperature: max +65 °C.
Other features: as fillable model.



For use in potentially explosive atmospheres, instruments must be designed in conformity to ATEX 94/9/CE. This version is shown on separate data sheet available on request.



A - LOWER CONNECTION

F	a	b	c	ø d	ø d ₁	h	ch	L	Weight
41M - G 1/2 A	7,5	34	11	110	101	87	22	20	0,4 kg (1)
43M - 1/2-14 NPT									

dimensions : inches (mm)

(1) Add 0.5 lbs (0,23 kg) when filled

OPTIONS

Model	fillable	filled
C - Back flange	◆	◆
2M1 - ATEX II 2G c IIA/B version (1)	≤ 6 bar	◆
2N1 - ATEX II 2GD c IIA/B version (1)	≥ 10 bar	◆
K10 - Accuracy class 1 as per EN 837-1.	1...400 bar	4...40 bar
M02 -Stainless steel movement	◆	◆
P01 - Suitable for filling with silicone	◆	
S10 - Silicone filling		◆
TPC -Polycarbonate window	◆	◆
V11 - St.st. restrictor 0,7 mm	◆	◆

(1) To be ordered with polycarbonate window only. Suitable for installation with IIA and IIB gas types only. See the ATEX pressure gauges data-sheet for technical details

"HOW TO ORDER" SEQUENCE

Section / Model / Case / Mounting / Diameter / Range / Process connection / Options
 1 44 2 A E 41M C
 3 43M 2M1...V11