

bar stock two-valve manifold, block and bleed

BSM/M2-

- ✓ - Pressure gauges, pressure switches aitters
- ✓ - Process, chemical and petrochemical industry
- ✓ - AISI 316L st.st or special materials wetted parts
- ✓ - Non-rotating needle
- ✓ - Operating temperature : -54...+550°C
- ✓ - Stem protected from system media
- ✓ - St.st. stop pin



Technical features

Rating: 6000 psig; or 10000 psig (code **10K**).

Tee-bar: AISI 303 st.st.

Stem: AISI 316 L st.st.

Non-rotating needle: AISI 316 L st.st (code **5**), (or special materials).

Bonnet: AISI 316 L st.st (code **5**), (or special materials).

Packing: PTFE or Graphoil (see chart below).

Nuts: carbon steel.

Line dust cup: Hytrel, blu.

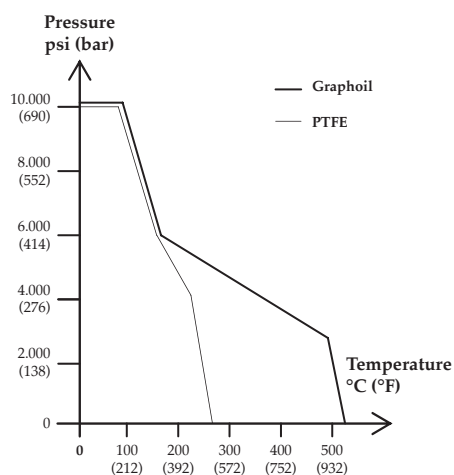
Drain dust cup: Hytrel, red.

Bonnet seal: AISI 316L st.st. seal.

Manifold body and drain plug: AISI 316 L st.st. (code **5**), (or special materials).



Fig. 1 - Sectioned bonnet

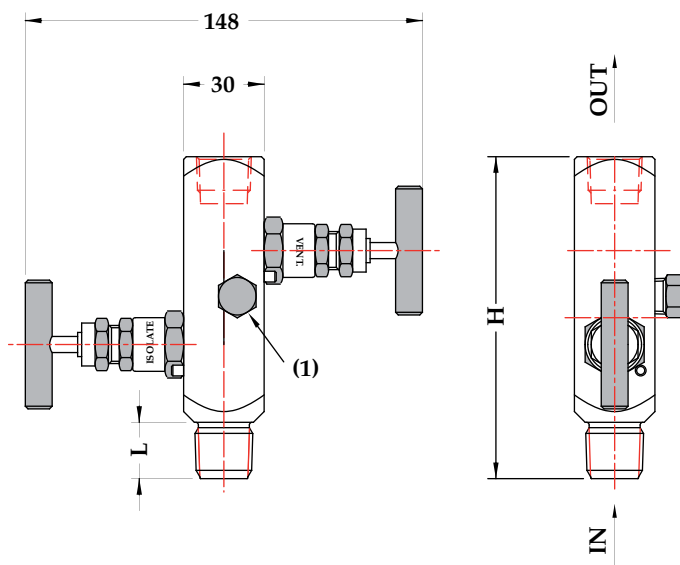
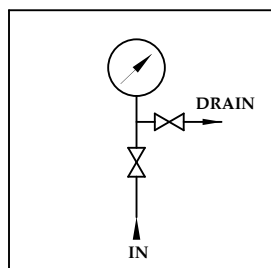


OPTIONS

| | |
|--|-----------------------------------|
| 10K - Rating bonnet : 10000 psi | LOK - T-Bar handle locking |
| ANT - Anti-tamper | P02 - Oxygen service |
| E30 - NACE version as per MR 0103/0175-ISO15156 | SMI - Tag |
| GRA - Graphoil packing | |

5.M2M - BSM/M2M - male process connection

RB0 - 05/10



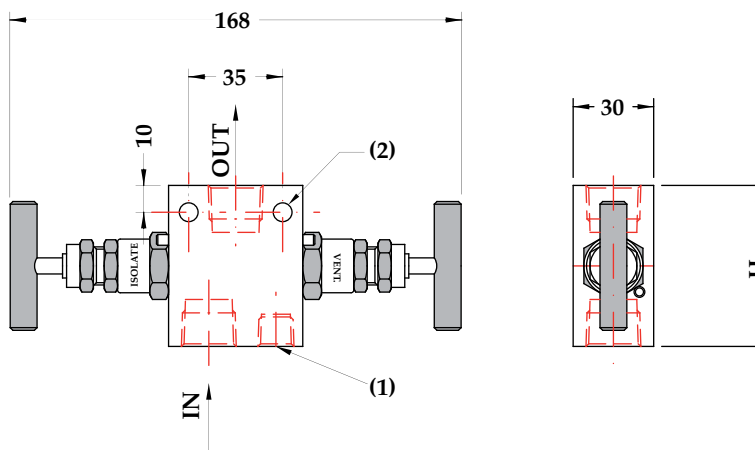
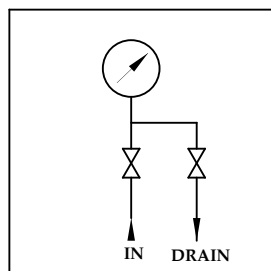
Weight: 0,88 kg

| Code | IN-OUT | H | L |
|------------------|-------------------------|-----|----|
| 43M x 43F | 1/2" NPT M x 1/2" NPT F | 120 | 20 |

(1) Drain 1/4" NPT F with plug

dimensions : mm

5.M2F - BSM/M2F - female process connection



Weight: 0,90 kg

| Code | IN-OUT | H |
|------------------|-------------------------|----|
| 43F x 43F | 1/2" NPT F x 1/2" NPT F | 60 |

(1) Drain 1/4" NPT F with plug
(2) No. 2 fixing holes ø 7 mm

dimensions : mm

"HOW TO ORDER" SEQUENCE

Section / Model / Material / Process connection / Instrument connection / Options
 5 M2M 5 43M 43F 10K...SMI
 M2F 43F