

KTH500

Temperature and Humidity Transmitter



Description

KTH500 temperature and humidity transmitters can be used to measure relative humidity and temperature in various HVAC applications, as well as monitor building energy management systems. This series of products includes duct-mounted transmitters, IP65 protection grade wall-mounted transmitter. KTH500 series temperature and humidity transmitters are easy to install, have high accuracy, stable and reliable operation, and are ideal for various harsh environments.

Features

- LCD display
 - Large size backlight display
- Shell connected by hinge
 - More convenient wiring and setting
- M16 M20 double cable gland
 - Cable size $\varnothing 5 \dots 12\text{mm}$
- Smooth and flat surface
 - Prevent the pollution of the shell surface in harsh environment
- IP65/NEMA4

Applications

- HVAC system
- Greenhouse
- Food transportation
- Cold storage and refrigeration
- Clean room environment monitoring

Technical Data



A: Duct Mounted



Model	KTH500
Power supply	16-30V DC (2 wire 4-20mA) / 16-30V AC or V DC (0-5V/0-10V/RS 485)
Output	4-20mA / 0-5V / 0-10V/ RS 485
Operating temp	-35 ... +70°C
Storage temp	-40 ... +60°C
Operating humidity	0 ... 100 %RH
Temperature range	DIP switch
Display	Backlight LCD
Maximum wind / Flow speed	30 m/s
Electromagnetic compliance	EN61326-1, Industrial Environment
Housing material	PC+ABS (UL-V0 approved)
Ingress protection	IP65 / NEMA 4
Cable gland	M16*1.5 / M20*1.5
Measurement performance-Temperature	
Measurement range	-35 ... +80 °C
Accuracy	±0.3°C (20-60°C)
Temperature dependence	±0.01 °C/°C
Measurement performance-Humidity	
Measurement range	0 ... 100 %RH
Accuracy	±2% (20-90% @25°C) / ±3% (90-100% @25°C)
Stability in typical HVAC applications	±1 %RH/year

KTH500

Temperature and Humidity Transmitter



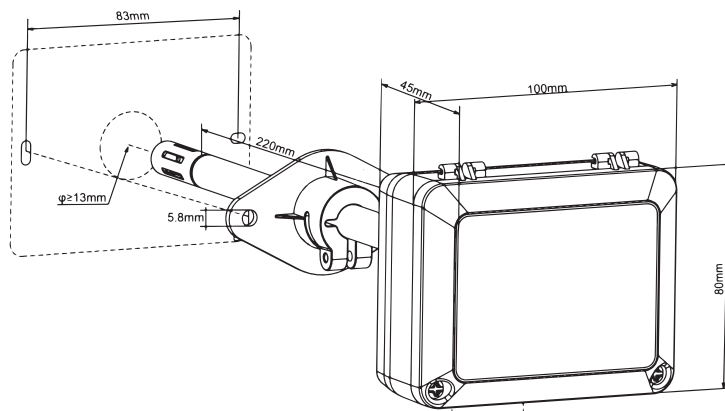
Notes On Disposal



Product Certification

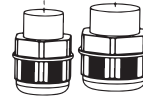


Dimensions (mm)

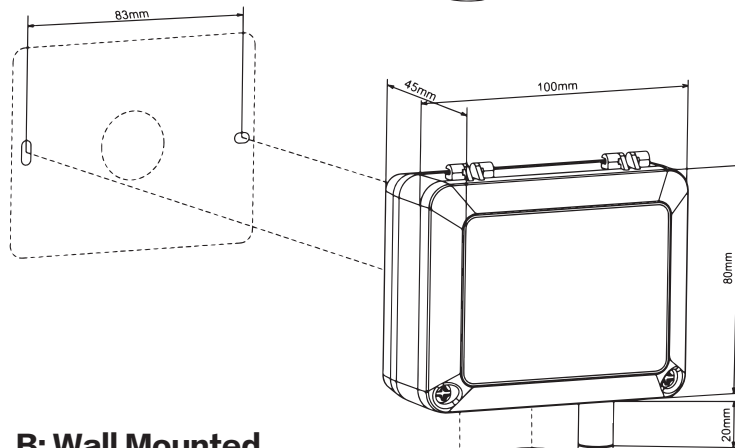


A: Duct Mounted

Cable Gland M16 X1.5

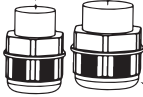


Cable Gland M20 X1.5



B: Wall Mounted

Cable Gland M16 X1.5







Cable Gland M20 X1.5

KTH500

Temperature and Humidity Transmitter



Measuring Range Adjustment

 ON 1 2	 ON 1 2	 ON 1 2	 ON 1 2
-35 ... +75°C	-35 ... +35°C	0 ... +50°C	0 ... +80°C



To configure the transmitter, it must not be energized. Then, you can make the settings required, with the DIP switches. When the transmitter is configured, you can power it up.

Ordering Guide

KTH500	Output		Installation		Filter	
Model	Output		Installation		Filter	
KTH500	4-20mA(2-wire)	(E)	Wall	(W)	PTFE	(P)
	4-20mA(3-wire)	(F)	Duct	(D)	Stainless	(S)
	0-5V/0-10VDC(3-wire)	(G)				
	RS-485	(H)				

Order Examples

KTH500-FWP

Model	KTH500 Temperature and Humidity Transmitter
Output	4-20mA
Installation	Wall-mounted
Filter	PTFE