

KTH400

Temperature and Humidity Transmitter



Description

KTH400 series economical temperature and humidity transmitters are wall mounted and air duct mounted. The newly designed housing minimizes installation costs and provides excellent protection against pollution and condensation. The output signal can be voltage or current and RS485 signal.

Features

- More compact housing, suitable for narrower installation space.
- $\varnothing 6$ mm stainless steel probe
- IP65 / NEMA 4 Protection
- 4-20mA, 0-10V, 0-5V, RS485 output available

Applications

- HVAC system
- Greenhouse
- Food transportation
- Cold storage and refrigeration
- Clean room environment monitoring

Technical Data



Model	KTH400
Power supply	16-30V DC (2 wire 4-20mA) / 16-30V AC or V DC (0-5V/0-10V/RS 485)
Output	4-20mA / 0-5V / 0-10V/ RS 485
Operating temp	-35 ... +70°C
Storage temp	-40 ... +60°C
Operating humidity	0 ... 100 %RH
Maximum wind / flow speed	30 m/s
Electromagnetic compliance	EN61326-1, Industrial Environment
Housing material	PC+ABS (UL-V0 approved)
Ingress protection	IP65 / NEMA 4
Cable gland	M16*1.5
Measurement performance-Temperature	
Measurement range	-35 ... +80 °C
Accuracy	$\pm 0.3^{\circ}\text{C}$ (20-60°C)
Temperature dependence	$\pm 0.01^{\circ}\text{C}/^{\circ}\text{C}$
Measurement performance-Humidity	
Measurement range	0 ... 100 %RH
Accuracy	$\pm 2\%$ (0-90% @25°C) / $\pm 3\%$ (90-100% @25°C)
Stability in typical HVAC applications	$\pm 1\%$ RH/year

Notes On Disposal



Product Certification

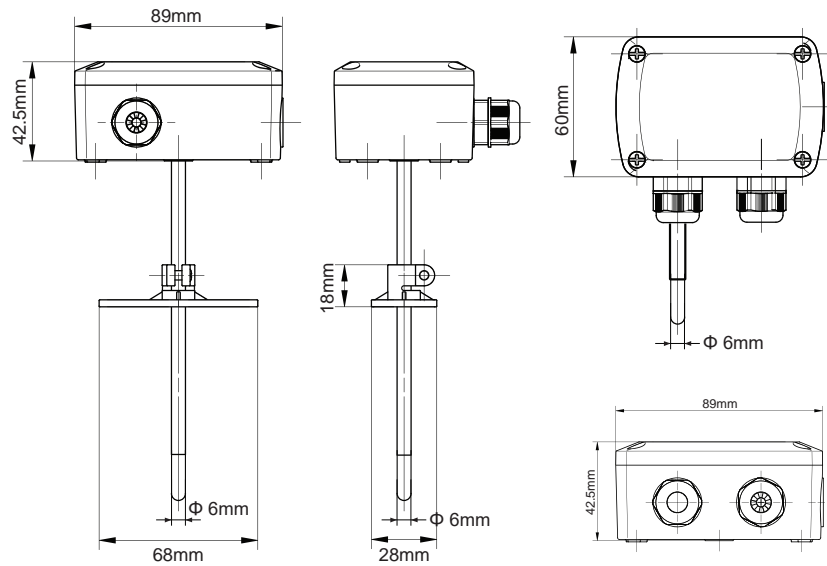


KTH400

Temperature and Humidity Transmitter



Dimensions (mm)



Measuring Range Adjustment

ON 1 2	ON 1 2	ON 1 2	ON 1 2
-35 ... +75°C	-35 ... +35°C	0 ... +50°C	0 ... +80°C

Output Setting (3-wire Model)

ON 3 4	ON 3 4	ON 3 4
0-5V	0-10V	4-20mA



To configure the transmitter, it must not be energized. Then, you can make the settings required, with the DIP switches. When the transmitter is configured, you can power it up.

Ordering Guide

KTH400	Output		Installation		Filter	
Model	Output		Installation		Filter	
KTH400	4-20mA(2-wire)	(E)	Wall	(W)	PTFE	(P)
	4-20mA(3-wire)	(F)	Duct	(D)		
	0-5V/0-10VDC(3-wire)	(G)				
	RS-485	(H)				

Order Examples

KTH400-FWP

Model	KTH400 Temperature and Humidity Transmitter
Output	4-20mA
Installation	Wall-mounted
Filter	PTFE