

# SERIES PCWS/PCWR Supply and Return “Sticks”

## INSTALLATION INSTRUCTIONS READ BEFORE INSTALLING

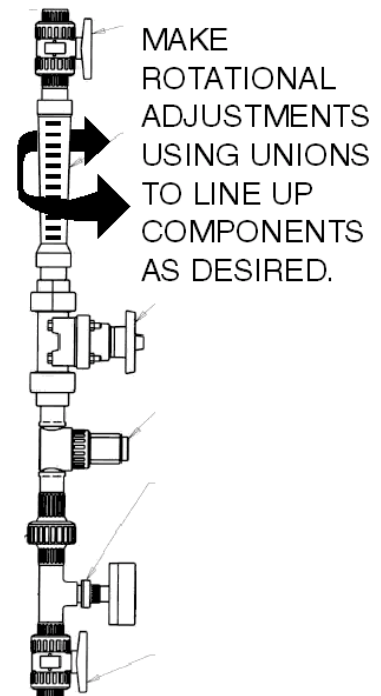
**WARNING:** Before using PVC socket weld cement, remove the flowmeter end adaptor and the union end of the valve. The socket weld cement and the fumes it creates can damage the flowmeter and some elastomers and diaphragms in valves and other components.

1. Solvent weld the end connections into the fluid line without the other components of the unit connected.
2. Let the solvent cement cure completely before reconnecting the other components.
3. Be sure to slide the union nut onto the pipeline before welding the union end to the pipe.

Rotational adjustments can be made to line up the valves, flowmeters, and gauges using the incorporated unions. Sticks that do not end in unions have to be lined up rotationally with the pipe line before welding. The rotational alignment must be marked for welding so the flowmeter or other component will face the desired direction.

- Pipe wrenches and vises are not recommended for plastic valves. Strap wrenches can be used in most cases.

- Refer to the individual instruction sheets for each component for specific installation instructions and for maintenance.



**NEED HELP? Call 1-973-256-3000, fax to 1-973-256-4745,  
or e-mail to [info@plastomatic.com](mailto:info@plastomatic.com), for Tech Support.  
(Have valve model number ready)**

**PLAST--MATIC**  
VALVES, INC.

1384 Pompton Ave., Cedar Grove, NJ 07009 USA