

Compact Fixed IR Sensor with Adjustable Emissivity, 6 Digit LCD and Analog Output

Features

- Temperature range: 0°C ~ 500°C
- Optical resolution up to 20:1
- 6-digit backlit LCD display
- 150 ms response time
- 4 ~ 20mA Analog output
- Adjustable Emissivity
- 0.1°C Resolution
- Rugged IP 65 aluminum housing
- Power Cable included



General

Environmental Rating	IP 65 (NEMA - 4)
Ambient Temperature	0°C to 70°C
Storage Temperature	-20°C to 80°C
Relative Humidity	10 to 95%, non-condensing
Cable Temperature	-20°C to 80°C
Weight	200g

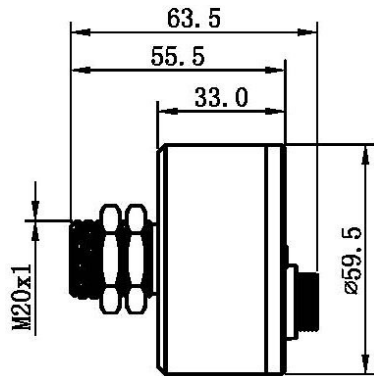
Electrical

Analog Output	4 ~ 20mA
Digital Output	none
Minimum Load Impedance (V)	10 KΩ
Maximum Loop Resistance (A)	500 Ω
Power Supply	24 VDC ± 20%
Current Draw	max. 100 mA
Display	6 digit backlit LCD display
Cable Length	3m options : 5m or 10m

Measurement

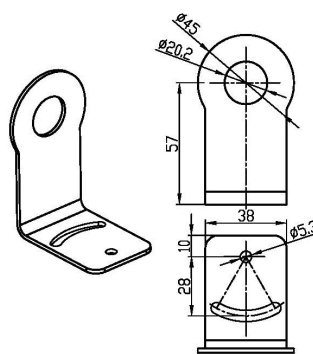
Temperature Range	0°C ~ 500°C (32°F to 932°F)
Spectral Response	8 ~ 14 μm
Optics Resolution (90% energy)	20:1
Accuracy*1	±1% of reading or ±1.5°C, whichever is greater
Repeatability*1	±0.5% of reading or ±1°C, whichever is greater
Temperature Resolution	0.1°C
Response Time (95% signal)	150 ms
Emissivity (adjustable)	0.100 ~ 1.000 (adjustable)
Signal processing	peak hold, valley hold, average
Display	6-Digit LCD

Dimensions(mm)

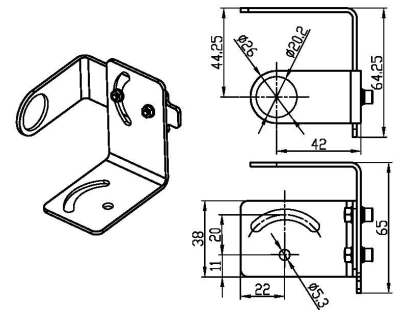


Optional Accessories

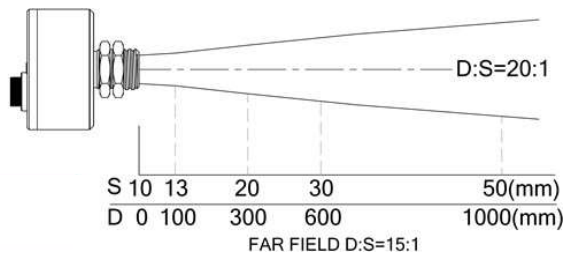
OS- FMB



OS - AMB



Optical Specifications



OS-AE11 Model

