

# Low-Cost Infrared Thermocouple With ABS Plastic Housing

OS36-01 Series  
All Models



- ✓ 1:1 (60°) Field of View
- ✓ J, K, E, or T Thermocouple Output Signal
- ✓ Self-Powered
- ✓ No Moving Parts
- ✓ Temperature Compensated
- ✓ Measurements to 290°C (550°F)
- ✓ High-Strength ABS Plastic Housing Meets NEMA Ratings

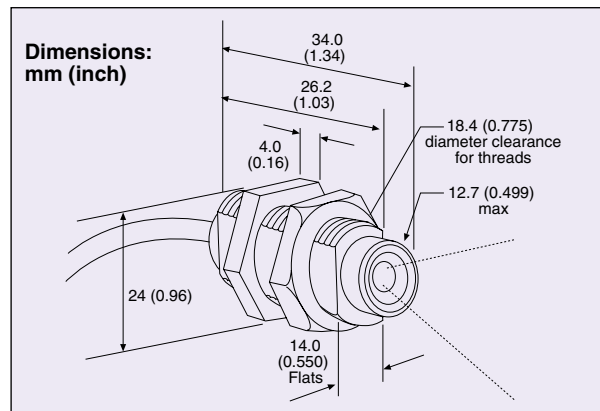
The OS36-01 Series has revolutionized OMEGA's line of infrared thermocouples. These units feature an exceptionally strong, low-cost hermetically sealed ABS plastic housing. The threaded head can be securely mounted through a bulkhead or threaded into a tapped hole. The OS36-01 Series produce repeatable temperature readings for use in a wide variety of process-monitoring and quality control applications.

## Specifications

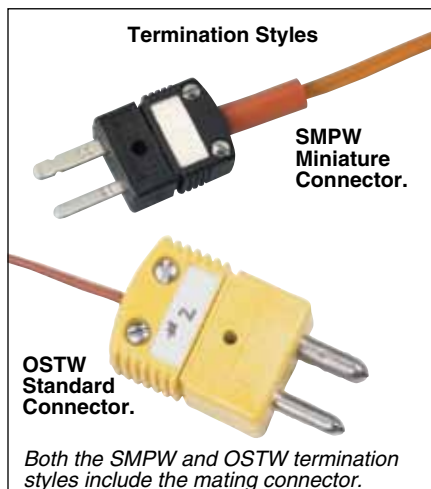
**Operating Ambient Temperature Range:** -18 to 70°C (0 to 160°F)  
**Field of View:** 60° (1:1)  
**Minimum Spot Size:** 8 mm (0.3")  
**Spectral Response:** 6.5 to 14 microns  
**Output Impedance:** 3 kΩ  
**Length of Cable:** 0.9 m (36") PFA coated unshielded stranded wire  
**Weight:** 40 g (1.4 oz) with cable

## Range Chart

Range Code	Temperature Range (2% Accuracy)
50F	-18 to 27°C (0 to 80°F)
80F	10 to 49°C (50 to 120°F)
98.6F	16 to 39°C (60 to 102°F)
140F	25 to 80°C (80 to 180°F)
180F	70 to 104°C (160 to 220°F)
240F	95 to 130°C (200 to 270°F)
280F	125 to 155°C (260 to 310°F)
340F	145 to 175°C (290 to 350°F)
440F	170 to 250°C (340 to 480°F)



OMEGACARE<sup>SM</sup> extended warranty program is available for models shown on this page. Ask your sales representative for full details when placing an order. OMEGACARE<sup>SM</sup> covers parts, labor and equivalent loaners.



## To Order Visit [omega.com/os36-01](http://omega.com/os36-01) for Pricing and Details

Model No.	Description
OS36-01-J-(* )	Type J thermocouple output signal
OS36-01-K-(* )	Type K thermocouple output signal
OS36-01-T-(* )	Type T thermocouple output signal
OS36-01-E-(* )	Type E thermocouple output signal

\* Specify temperature range code from range chart.

**Note:** Stripped leads are standard.

To order with SMPW subminiature thermocouple connector pair with write-on windows, add suffix "-SMPW" to model number for additional cost.

To order with OSTW standard-size thermocouple connector pair with write-on windows, add suffix "-OSTW" to model number for additional cost.

**Ordering Examples:** OS36-01-K-140F-OSTW, thermocouple Type K, 25 to 80°C (80 to 180°F range) with OSTW, standard-size thermocouple connector pair with write-on windows.

OS36-01-J-140F, thermocouple Type J, 25 to 80°C (80 to 180°F) range.

OCW-3, OMEGACARE<sup>SM</sup> extends standard 2-year warranty to a total of 5 years.