

OS-PC Series

Infrared Temperature Sensors

OS-PC-TSD

Touch Screen Interface Module



Operator's Guide

Ω OMEGA®

OS-PC

The **OS-PC** is a non-contact temperature sensor with built-in LED sighting. It has an extremely fast response time, and can measure a spot as small as 1.6 mm in diameter.

The continuous LED sighting illuminates the position and size of the measurement spot while readings are being taken, without affecting the accuracy of the measurement.

The sensor works by detecting the infrared radiation emitted from a surface as a result of its own temperature. The amount of radiation emitted is related to the temperature, and the sensor uses this relationship to provide an accurate temperature measurement.

OS-PC sensors are ideal for measuring the surface temperature of paper, thick plastics, food, rubber, electronic components, cable, ceramics, textiles, painted surfaces and some metals, as well as many other materials.

OS-PC-TSD

The **OS-PC-TSD** is an optional multilingual touch screen interface module for the OS-PC sensor. It functions as a standalone temperature indicator, alarm unit and configuration tool, and a selectable analogue output allows it to be connected to further instrumentation.

All the settings of the OS-PC sensor are adjustable via the built-in touch screen interface.

When an optional MicroSD Card is inserted into the OS-PC-TSD, the system functions as a fully-configurable temperature data logger.

OS-PC Sensor Specifications

Measurement

Temperature Range	0 °C to 500 °C
Response time (95% of step change)	-S models: 10 ms to 5 s -F models: 1 ms to 5 s Adjustable via averaging function
Target sighting	Red LED built-in as standard on all models. Indicates the measured spot size. Switchable on/off.
Measurement Accuracy*	-S models: $\pm 3^{\circ}\text{C}$ or 1%, whichever is greater -F models: $\pm 3.5^{\circ}\text{C}$ or 1%, whichever is greater
Repeatability*	-S models: $\pm 0.5^{\circ}\text{C}$ -F models: $\pm 1^{\circ}\text{C}$
Resolution*	-S models: $< 0.5^{\circ}\text{C}$ -F models: $< 1.5^{\circ}\text{C}$ (0 to 50°C); $< 0.7^{\circ}\text{C}$ (above 50°C)

Measurement (continued)

Emissivity setting	Adjustable 0.3 to 1.0 via RS232C or optional touch screen interface
Optics	See Field of View Diagrams

* Ambient temp. $23 \pm 5^{\circ}\text{C}$, emissivity 1.0, averaging time 0.05 s

Electrical

Outputs	1 analogue output and 1 alarm output
Analogue output	4-20 mA (set by default), 0-20 mA, mV/°C or voltage \ddagger , selectable via optional touch screen interface.
Alarm output	1 open drain alarm output, rated 27 V DC, 0.2 A
Supply voltage	5 to 27 V DC, 100 mA max
Digital Communications	RS232C Modbus RTU, non-isolated

\ddagger Voltage can be 0-1, 0-5, or 0-10 V DC, depending on model (see Model Numbers).

Mechanical

Weight (without cable)	85 g
-------------------------------	------

Environmental

Environmental rating	IP67
Operating ambient temperature	0°C to 50°C
Storage temperature	-15°C to 70°C
Operating ambient humidity	30% to 85% RH non condensing

Display

Display	Optional OS-PC-TSD touch screen interface module for indication, configuration, data logging and alarm outputs
----------------	--

Electromagnetic Compatibility Standards

EMC Directive	EN61326-1:2013
CISPR 11:2009	Industrial and scientific equipment – Emissions test
IEC61000-4-2	Electrostatic Discharge Immunity
IEC61000-4-3	Electromagnetic Field Immunity
IEC61000-4-4	Burst Immunity
IEC61000-4-5	Surge Immunity
IEC61000-4-6	Conducted RF Immunity

OS-PC-TSD Touch Screen Interface Module Specifications

Interface

Display Format	2.83" (72 mm) resistive touch TFT, 320x240 pixels, backlit
Configurable Parameters	Language (English, Chinese, Japanese) Temperature units Displayed temperature (instantaneous, hold) LED sighting on/off Password Date & time (for data logging time stamps) Peak hold period, discharge level Averaging period Correction (gain/offset) Emissivity setting (with teach function) Reflected energy compensation (with teach function) Output type Output temperature range Polarity on error Alarm mode, levels, hysteresis

Data Logging

Storage	MicroSD Card (optional), max. 32 GB, equal to 16 years of data at the fastest sample rate of 1 per second	
Sample Interval	1 second to 1 day (configurable)	
Internal Clock Battery	1 x BR 1225, 3 V (not included)	
Variables Logged	Unfiltered temperature, hold temperature, alarm events	
Configurable Parameters	Data logging:	Sample period Number of samples Scheduled start
	Alarm logging:	Log times when triggered, acknowledged, reset Log data while triggered

Outputs

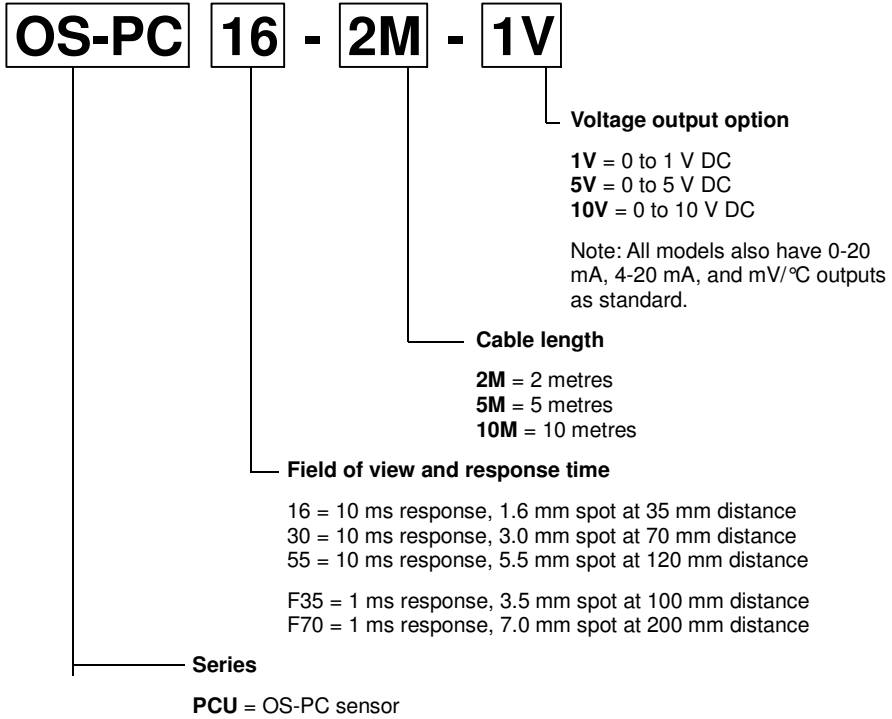
Outputs	2 x alarm relay outputs rated 24 V DC, 1 A; Retransmitted analogue output from sensor
----------------	--

Retransmitted Analogue Outputs

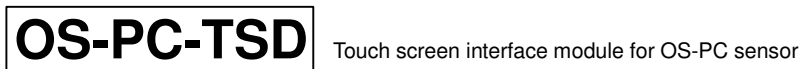
Output Type	Effective Minimum Output	Output Accuracy (additional to Measurement Accuracy)
0 to 1 V DC	30 mV	±1.5 mV
mV/°C	30 mV	±1.5 mV
0 to 20 mA	0.2 mA	±0.02 mA
4 to 20 mA	4.0 mA	±0.02 mA

Model Numbers

OS-PC Sensor

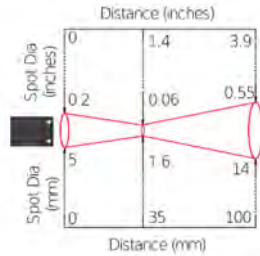


OS-PC-TSD Touch Screen Interface Module

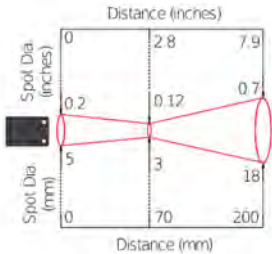


Field of View Diagrams

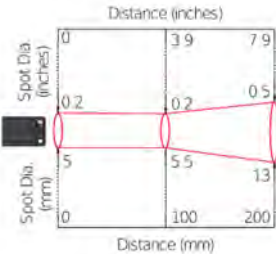
Diagrams show the diameter of the measured spot at each distance, for 90% energy. The accuracy specifications for the PyroCube sensor are valid up to the maximum distances shown.



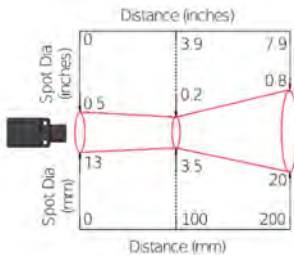
PCU-S1.6



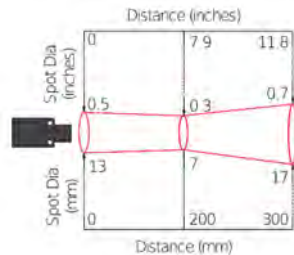
PCU-S3.0



PCU-S5.5



PCU-F3.5



PCU-F7.0

Emissivity Adjustment

The default emissivity setting is 0.95. It may be adjusted in two ways via the touch screen interface:

Settings → Input Settings → Emissivity & Compensation → Emissivity & Compensation Settings

Enter the target emissivity here. For help with finding the target emissivity, contact Omega.

Settings → Input Settings → Emissivity & Compensation → Teach Emissivity

Measure the true surface temperature using another device, such as a trusted contact thermometer. Enter the true temperature here, and the sensor calculates the correct emissivity setting.

To use this function, the target temperature must be greater than 50°C.

Reflected Energy Compensation

Settings → Input Settings → Emissivity & Compensation → Emissivity & Compensation Settings

Some of the infrared energy detected by an infrared temperature sensor is not emitted by the target, but is a reflection of its surroundings.

To ensure an accurate reading, the sensor needs to know the temperature of the source of that reflected energy. In most applications, the surroundings of the target have the same temperature as the sensor itself (e.g. the sensor and target are in the same room). The sensor automatically compensates for the reflected energy, so Reflected Energy Compensation is not required.

However, in some applications, the source of the reflected energy (the surroundings of the target) is much hotter or colder than the sensor itself. In these cases, Reflected Energy Compensation should be enabled.

For example, if the target is inside a furnace and the sensor is outside, the reflected energy is coming from the inner walls of the furnace. Use the Teach Reflected Temperature function to find the correct setting. Enter the true target temperature and the sensor will compensate for the reflected energy.

For assistance, contact Omega.

Alarm Outputs

When used without the optional OS-PC-TSD interface module, the sensor has one open drain alarm output, configurable via RS232C Modbus. The output is rated 27 V DC, 0.2 A.

The OS-PC-TSD has two individually-configurable alarm relay outputs. These are rated 24 V DC, 1 A. These are individually configurable via the touch screen interface.

Each alarm has two set point temperatures (Low and High). The behaviour of the alarm depends on the Alarm Mode.

Alarm Mode	← Low Measured Temperature High →	
	Low Set Point	High Set Point
High On		ALARM ON
High Off	ALARM ON	
Low On	ALARM ON	
Low Off	ALARM ON	
Band On	ALARM ON	
Band Off	ALARM ON	ALARM ON
Error On	ALARM ON	
Error Off		

For “Error On” and Error Off” alarms, the alarm monitors for an internal voltage abnormality. In





the event of such an error, an “Error On” alarm will be ON and an “Error Off” alarm will be OFF.









OS-PC-TSD Touch Screen Interface Module

The backlit touch screen interface module provides a large, bright display of the measured temperature, two alarm relay outputs, and options for full configuration of the sensor.


The graph view shows the history of the measured temperature. In alarm conditions, the display changes colour to provide an immediate and obvious alarm indication. Alarm modes and levels can be configured via the touch screen.





OS-PC-TSD Interface Functions

<p>Main Screen (Temperature View)</p>	<p>Displays a large indication of the measured temperature. The background turns bright red when an alarm is activated.</p> <p> MicroSD Card Status This icon is displayed when a MicroSD card is inserted, and flashes when data logging is in progress.</p> <p> Scheduled Logging This icon is displayed when scheduled data logging is enabled and has yet to begin.</p> <p>Temperature Units °C and °F Press “°C” to switch to °F and vice versa. The units are changed throughout the interface.</p> <p>Display Options Press the measured temperature to select which reading is shown:</p> <ul style="list-style-type: none">Hold Temperature: The measured temperature, with averaging and hold processing.Unfiltered Temperature: The unprocessed measured temperature. <p> Sighting On/Off Switches the LED sighting light on or off. The light does not affect the measurement accuracy.</p> <p> Start/Stop Logging Manually begins or ends data logging (requires MicroSD Card, available separately). If Scheduled Start is enabled in Settings > Data Logging, then logging cannot be started manually. To manually start logging, you must first disable Scheduled Start.</p>
--	--




	 <p>Acknowledge Alarms</p> <p>Switches the relay outputs for triggered alarms to their normal, untriggered state. The background of the Temperature View and Graph screen will stay red, and the alarms will not be triggered again until they are reset (see "Alarms" below). Alarms can be acknowledged while the display is locked.</p>
	<p>Lock/Unlock</p> <p>Prevents settings being changed via a four-digit numerical code.</p> <p>To unlock the sensor, enter the password and press the Unlock icon.</p> <p>The default password is 1234.</p> <p> Change Password</p> <p>Enter, confirm and save a new four-digit code.</p>
	<p>Graph</p> <p>Displays the recent history of the Filtered Temperature and the Sensor Temperature. To scroll backwards and forwards in time, touch the graph and drag it. The graph stores the most recent 24 hours of temperature data.</p> <p> Reset Graph</p> <p>Clears and restarts the graph.</p> <p> Return to Scrolling View</p> <p>Returns the graph to the real-time scrolling view, showing the most recent measurements.</p>
	<p>Settings</p> <p>Access the configuration parameters. Press Apply to save the settings, or Exit to leave the screen without saving.</p> <p> Default Settings</p> <p>Reset all settings to factory defaults.</p>

Settings

	<p>Input Settings</p> <p>These settings affect the sensor and the measured temperature.</p>
--	--

	<p>Output Settings</p> <p>These settings affect the OS-PC-TSD's analogue retransmission output, and the alarm relays.</p>
	<p>Date & Time</p> <p>Change the date and time for data logging purposes.</p> <p>The clock is reset when the power is switched off, unless a battery is fitted.</p>
	<p>Data Logging</p> <p>Configure the storage of temperature data and alarm events. A MicroSD Card (optional) must be inserted to use these features.</p>
	<p>Language</p> <p>Change the language of the interface. Select from English, Japanese and Simplified Chinese.</p>

Settings → Input Settings

	<p>Emissivity & Compensation</p>
	<p>Emissivity & Compensation Settings</p> <p>Emissivity Setting</p> <p>Enter the emissivity of the target surface. The emissivity setting should match the target emissivity for maximum accuracy.</p> <p>Enable Reflected Energy Compensation</p> <p>Select to enable Reflected Energy Compensation, which improves the measurement accuracy if there is significant reflected energy, for example when measuring an object inside a furnace with the sensor positioned outside.</p> <p>In most applications, this setting should be disabled.</p> <p>For more information, see the “Reflected Energy Compensation” section of this guide.</p> <p>Reflected Value</p> <p>If reflected energy compensation is required, enter the temperature of the surroundings of the target here.</p>
	<p>Teach Emissivity</p> <p>Enter the true temperature of the target here, and the sensor will automatically determine the emissivity setting. For more information, see the “Emissivity Adjustment” section of this guide.</p>



Teach Reflection Value

Enter the true temperature of the target here, and the sensor will automatically compensate for reflected energy. For more information, see the “Reflected Energy Compensation” section of this guide.

Settings → Input Settings



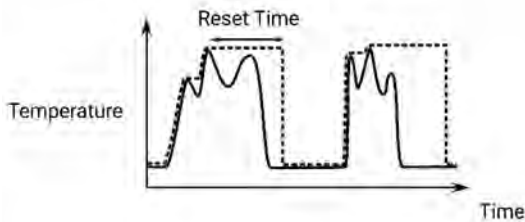
Peak Hold

With Peak Hold, the sensor will continue to display or output a peak in the measured temperature for a certain time. This feature is ideal for monitoring the temperature of individual objects on a conveyor, and for ignoring unwanted low readings, such as when a rotating stirring arm in a container of liquid passes the sensor.

Reset

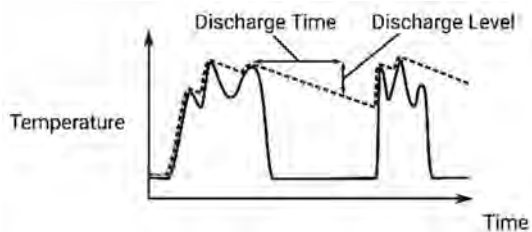
The peak hold mode. Choose from Time or Discharge:

Time



The output returns instantly to the measured temperature after the Reset/Discharge Time.

Discharge




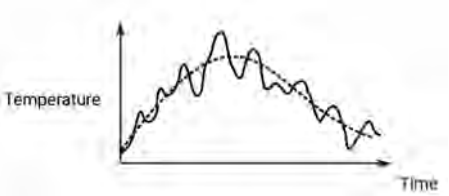

The output decreases steadily after a peak. The rate of decay depends on the Reset/Discharge Time and the Discharge Level.

Reset/Discharge Time


The peak hold period. This depends on the “Reset” setting.




Discharge Level

In “Discharge” mode, this is the percentage of the measured temperature that the peak hold temperature will reach after the



	<p>Reset/Discharge Time has elapsed.</p> <p>Discharge Level has no effect when "Time" mode is enabled.</p> <p>Peak Hold Off/On</p> <p>Enable or disable peak hold processing.</p>
	<p>Averaging</p>  <p>Select the required averaging period to smooth the output and slow down the sensor's response time. The default setting is 50 ms.</p> <p>Note: averaging prevents the sensor from following rapid temperature changes.</p>
	<p>Correction</p> <p>Correction Span</p> <p>Adjusts the gain (slope) of the sensor's measured temperature response. For example, this can be used when measuring through a window to correct for transmission loss.</p> <p>The sensor is calibrated in the factory with Correction Span set at 1.000 and this setting should not normally be adjusted.</p> <p>Note: When Correction Span is set lower than 0.9, the upper limit of the temperature range is reduced below the published specification.</p> <p>Correction Offset</p> <p>This value is added to the measured temperature.</p>


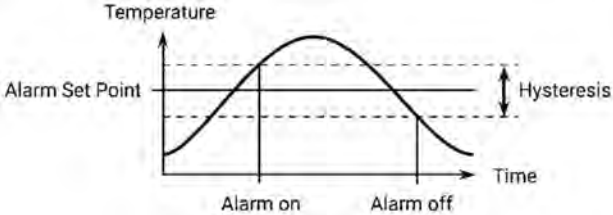
Settings → Output Settings

	<p>Output Type</p> <p>Select the analogue output type:</p> <ul style="list-style-type: none"> 4-20 mA - this is the default setting. 0-20 mA Voltage - the output voltage range is 0-1, 0-5, or 0-10 V DC depending on the model. mV/°C No output – disable the analogue output.
---	---


	<p>Output Range</p> <p>Re-scale the Lower Limit and Upper Limit of the full range of the analogue output. The output is linear between these temperatures.</p> <p>e.g. 4 mA output at 0°C; 20 mA output at 500°C.</p>
	<p>Output Temperature.</p> <p>Select whether the hold processing settings should be applied to the output temperature.</p> <p>Unfiltered Temperature</p> <p>No processing is applied to the output temperature. The raw measured signal is output from the sensor.</p> <p>Hold Temperature</p> <p>The peak hold function is applied to the output temperature.</p> <p>Note: This function is independent from the displayed temperature (see Display Options near the beginning of this table).</p>
	<p>Polarity on Error</p> <p>Determines whether the sensor output will default to the upper or lower limit in a fault condition (internal voltage abnormality).</p> <p>Untreated</p> <p>In a fault condition, the sensor will not change output behaviour.</p> <p>Upper Limit</p> <p>In a fault condition, the sensor will default to the upper output limit.</p> <p>Lower Limit</p> <p>In a fault condition, the sensor will default to the lower output limit.</p>

Settings → Output Settings → Alarms

	<p>Alarms</p> <p>The settings for the Alarm 1 and Alarm 2 relay outputs are configured individually.</p>
	<p>Alarm Mode</p> <p>High On - The alarm is active above the Alarm High temperature. High Off - The alarm is active below the Alarm High temperature. Low On - The alarm is active below the Alarm Low temperature. Low Off - The alarm is active above the Alarm Low temperature. Band On - The alarm is on between the Alarm Low and High temperatures.</p>

	<p>Band Off - The alarm is on below the Alarm Low temperature and above the Alarm High temperature.</p> <p>Error On - The alarm is active in a fault condition (internal voltage error).</p> <p>Error Off - The alarm is active in a normal (non-fault) condition.</p> <p>For more information, see the section “Alarm Outputs”.</p>
	<p>Alarm Settings</p> <p>Alarm Low</p> <p>Alarm High</p> <p>Each alarm has two temperature set points: High and Low. Depending on the Alarm Mode, either one or both of these set points will be used to activate the alarm.</p> <p>Hysteresis</p> <p><i>Example: High On alarm with Hysteresis</i></p>  <p>Hysteresis is the temperature difference between “alarm on” and “alarm off”. It is a band centred on the alarm setpoint temperature.</p> <p>The value of Hysteresis is the size of this temperature band.</p>

Settings → Data Logging

	<p>Data Logging Settings</p> <p>Sample period</p> <p>The time, in seconds, between samples.</p> <p>Number of samples</p> <p>The number of samples the unit will collect before logging stops. Enter “0” to log data continuously until manually stopped.</p> <p>Enable Scheduled Start</p> <p>The sensor begins logging at the Date and Time specified. Logging can also be started and stopped manually.</p> <p>Date and Time</p> <p>The date and time for scheduled logging to start.</p>
---	--



Alarm Logging Settings

Alarm events can be logged to the MicroSD Card. Alarm log files and settings are independent from Data Logging.

Log Trigger Time

The time that an alarm is triggered will be logged.

Log While Triggered

Data logging will start when an alarm is triggered. 1 sample is logged per second. Logging stops when both alarms are reset.

Log Acknowledge Time

The time that the alarm is acknowledged will be logged.

Log Reset Time

The time that the alarm is reset will be logged.

Data Logging Specifications

The OS-PC and OS-PC-TSD can be used as a standalone data logger. Data logging can be configured via the touch screen interface.

Data is stored on a MicroSD card in .csv format and can be viewed and edited easily using spreadsheet software. The MicroSD card is available as an optional accessory, with an SD Card adapter to transfer data to a PC.


With a 2 GB card, the user can store 28.4 million readings, which is almost 1 year's worth of data at 1 sample per second. Larger cards provide more storage.


The MicroSD card slot and battery holder are located on the touch screen circuit board in the lid of the OS-PC-TSD. Readings are time and date stamped using the unit's internal clock. The clock is reset when the power is disconnected, or it will continue if the optional battery is fitted.





Using the OS-PC-TSD as a Data Logger

1. Insert a MicroSD card into the holder on the circuit board inside the lid of the OS-PC-TSD.
2. To retain the date and time when the unit is switched off, fit a battery to the holder on the circuit board inside the lid.
3. Replace the lid and connect the sensor power supply.

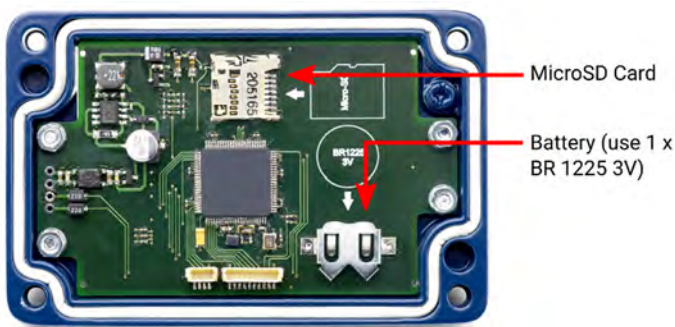
4. To set the number of samples to be logged, the time period between samples, and, if

required, to schedule data logging to automatically start, press  to access the Settings

menu, then press  to access the Data Logging options.

5. To save data logging settings, press 
6. To manually start data logging, press  on the Temperature View.
7. While logging is in progress, the logging icon  flashes on the Temperature View.
8. To stop data logging, press 
9. To transfer data to a computer, remove the MicroSD Card from the unit, insert the card into the SD Card adapter (supplied with the MicroSD Card, accessory model MSD) and insert the adapter into an SD Card reader.

Installation of MicroSD Card and Battery



The MicroSD Card and battery slots are located on the touch screen circuit board. Unscrew the lid of the OS-PC-TSD to access them.

The battery is optional. With a battery fitted, the internal clock will continue to run when the power is off. Without a battery, the unit will request the date and time each time the power is cycled.

All other settings are stored in permanent memory and will be preserved when it is switched off, regardless of whether a battery is fitted.

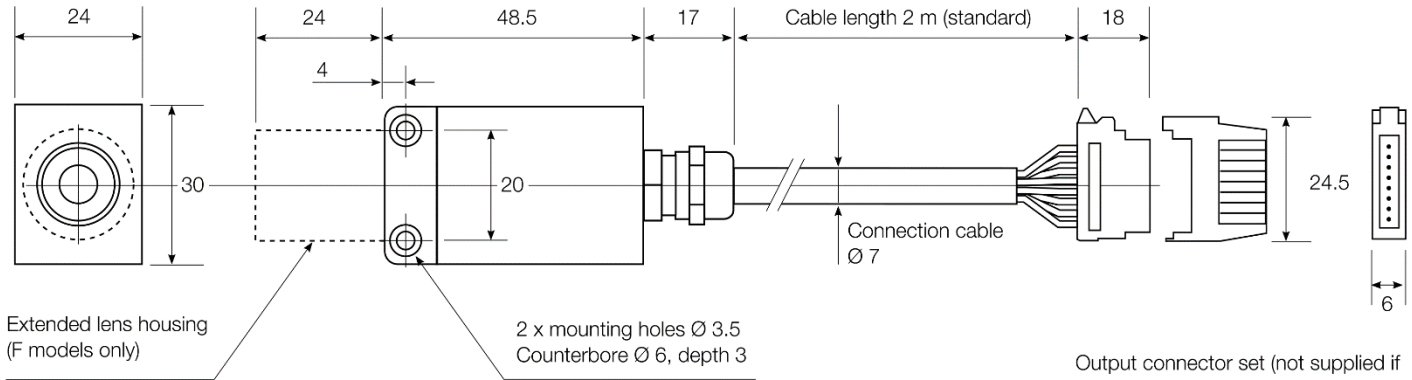
Data Log Files

Data is saved to the MicroSD Card in .csv format. This file format can be opened or imported by spreadsheet software such as Microsoft Excel.

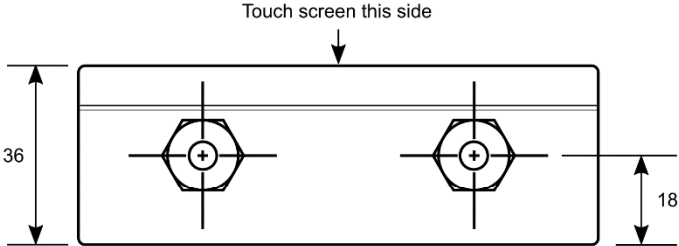
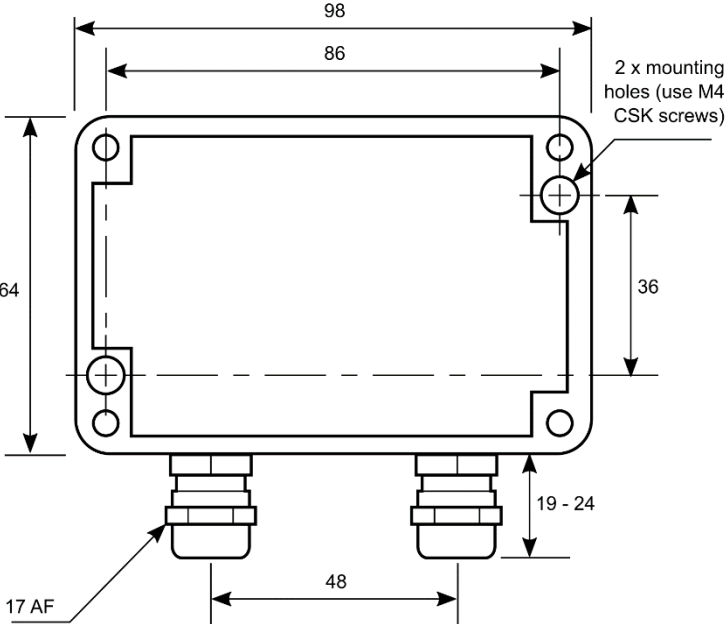
A new folder is created on the MicroSD Card for each day that data is logged.

A new log file is created every time logging is started. The start time is used as the file name.

Sensor Dimensions



OS-PC-TSD Dimensions



Accessories

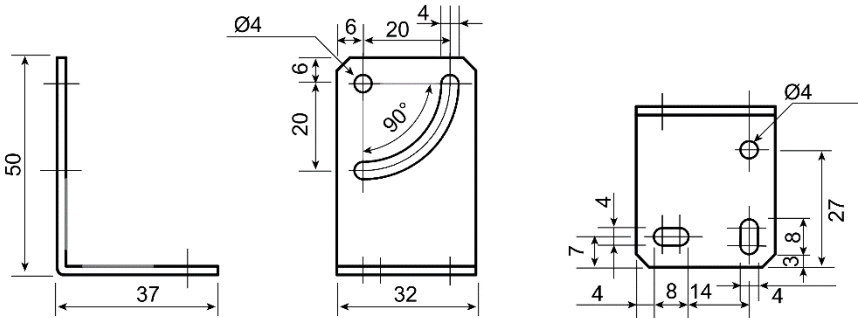
All dimensions in mm



Mounting Bracket

Provides a sturdy mount for the sensor and allows rotation about one axis.

Thickness: 2.0 mm. Weight: 45 g.

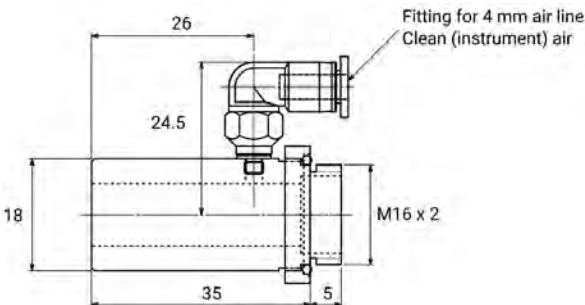


Air Purge Collar

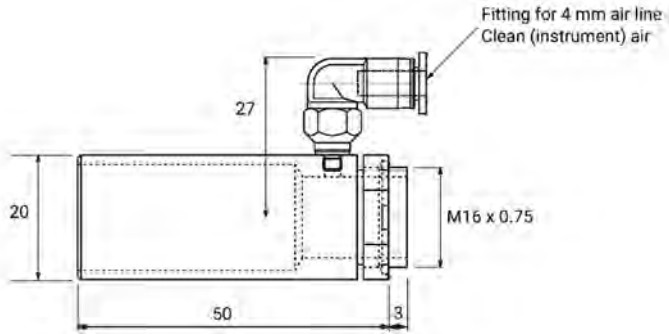
Helps prevent dust and condensation from settling on the lens.

Use clean (instrument) air. Maximum flow rate: 5 l/min, maximum pressure 0.2 MPa.

OS-PC-APC (for OS-PC models)



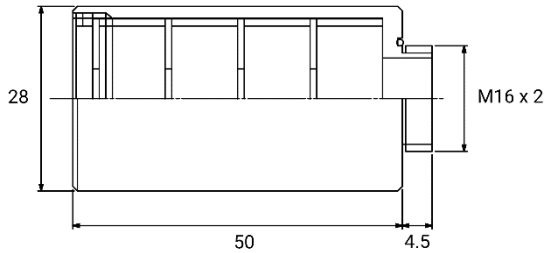
OS-PC-APCF (for OS-PCF models)



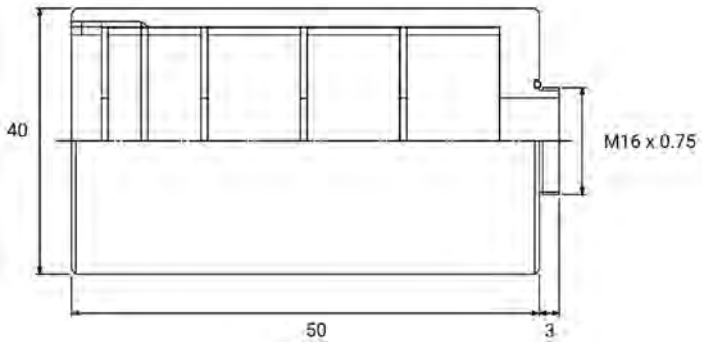
Airless Dust Protector

Helps stop dust from reaching the lens. No air supply required. For use in dry atmospheres only.

OS-PC-ADP (for PyroCube S models)



OS-PC-ADPF (for PyroCube F models)





Extension Cable

Supplied with connectors at both ends for easy attachment to the sensor cable. Length: 5 metres.

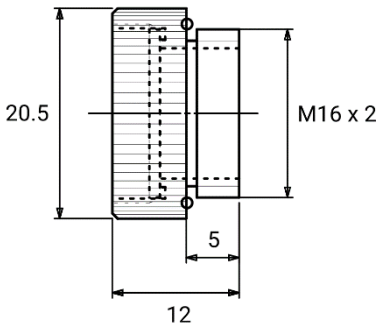
Other lengths available – contact Omega for details.



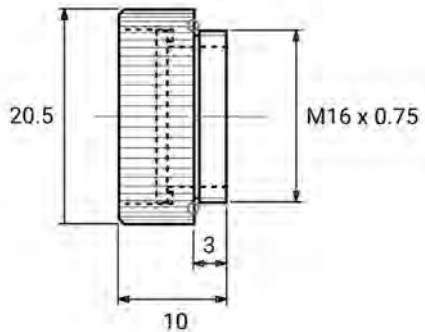
Protective Window

Replaceable IR-transmissive window to help protect the lens from dirt and damage in harsh applications.

OS-PC-PWC (for OS-PC models)



OS-PC-PWCF (for OS-PCF models)



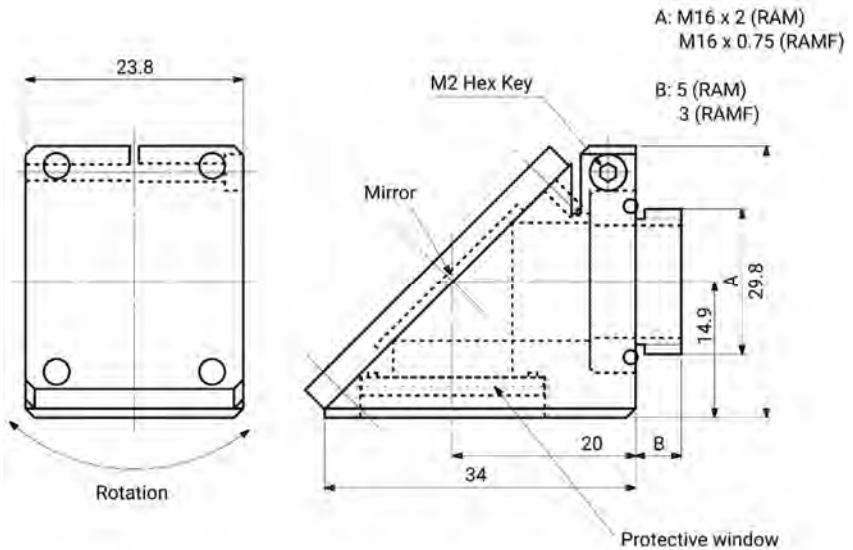


Right Angled Mirror

Angles the sensor's field of view by 90°.

A protective window is included to help keep the mirror and lens clean.

OS-PC-RAM (for OS-PC models) and RAMF (for OS-PCF models)



MicroSD Card and Adapter

Stores logged data. SD Card Adapter allows data transfer to a PC.



Water Cooled Jacket

In areas of high ambient temperature, use the water cooled jacket to keep the sensor body temperature within 0 to 50 °C. The OS-PC water cooling jacket may be fitted to an existing sensor.

Cooling water flow rate should be approximately 0.6 l/min.

The integrated air purge must be used to stop condensation forming on the lens while the sensor is being cooled.

Note: The sensor output cable is rated to 80 °C ambient temperature.

Installation

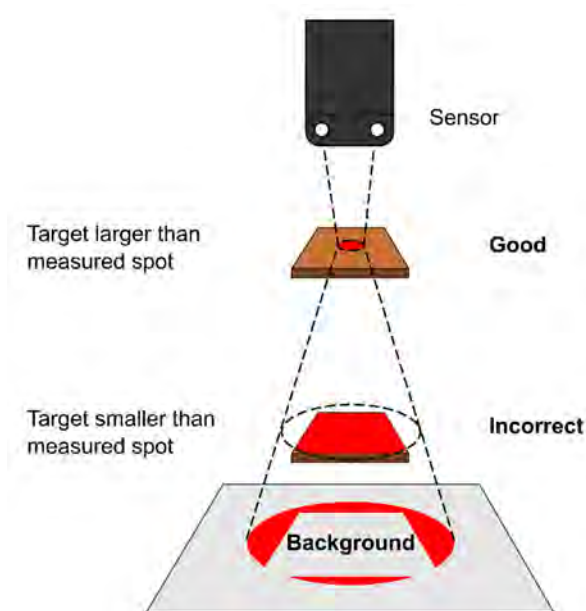
The installation process consists of the following stages:

- **Preparation**
- **Mechanical installation**
- **Electrical installation**

Please read the following sections thoroughly before proceeding with the installation.

Preparation

Distance and Spot Size



The size of the area (spot size) to be measured determines the distance between the sensor and the target. The spot size must not be larger than the target. Choose a suitable mounting distance so that the measured spot size is smaller than the target.

Reflections

The sensor must be installed in a location where energy from tungsten lamps, heaters and sunlight cannot be reflected from the target into the lens. This is especially important for low-temperature targets. Using fluorescent or mercury lamps, or using shields, may help in this respect. For further information and assistance, contact Omega.

Ambient Temperature

The sensing head may be used between 0°C and 50°C ambient temperature. If the ambient temperature is higher than this, consider adding a water cooled jacket.

Avoid thermal shock. Allow 20 minutes for the unit to adjust to large changes in ambient temperature.

Atmospheric Quality

Smoke, fumes, dust or steam can contaminate the lens and cause errors in temperature measurement. Carbon dioxide can also influence the reading.

In these types of environment, the amount of contaminant should be minimised, and the air purge collar should be used to help keep the lens clean.

Electrical Interference

The OS-PC is tested to industrial standards for electromagnetic compatibility (EMC). To minimise electromagnetic interference or 'noise', the sensor should be mounted away from motors, generators and such like.

Power Supply

The required supply voltage is 5 to 27 V DC. When using the sensor on its own (without the OS-PC-TSD touch screen terminal) the minimum supply voltage depends on the output. Ensure the power supply is of the correct voltage and is capable of providing an output current of at least 100 mA.

Mechanical Installation

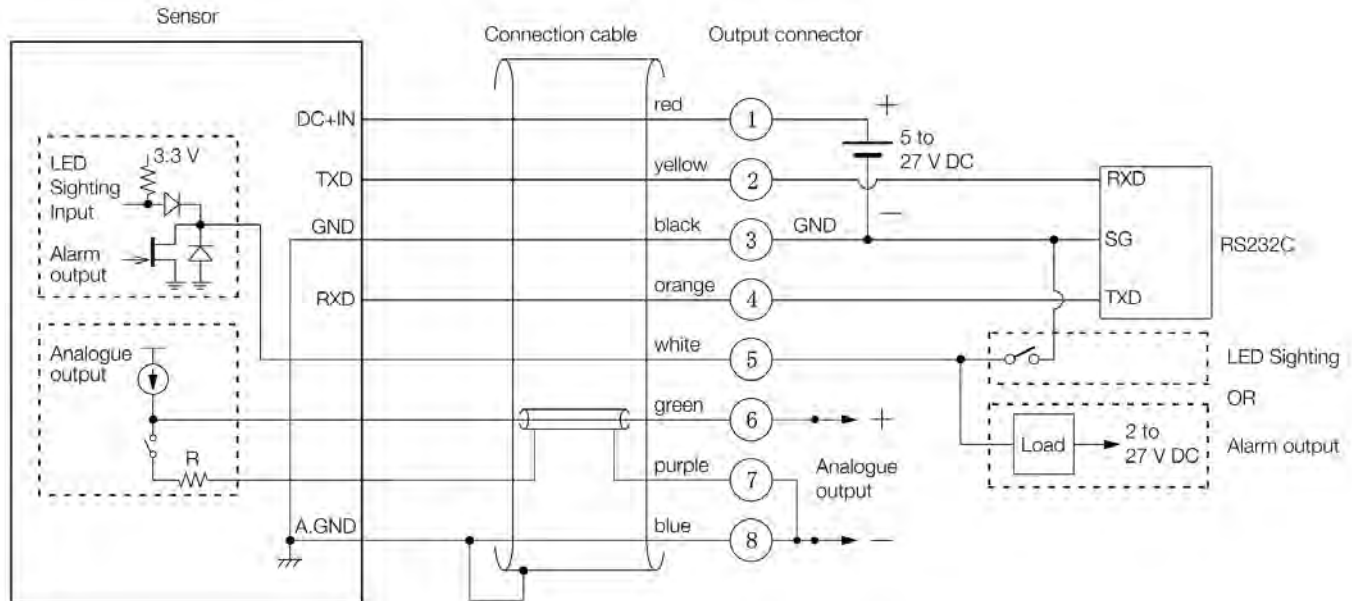
All sensors come with a 2 m, 5 m or 10 m cable as standard (see Model Numbers). The cable may be lengthened using the Extension Cable accessory.

- Affix the sensor to its mounting. The sensor can be mounted on brackets of your own design, or you can use the mounting bracket accessory.
- Switch on the LED sighting to illuminate the measured spot, and adjust the angle of the sensor to aim it.
- Ensure the target is larger than the illuminated spot. If not, adjust the measurement distance for a smaller spot size.

Note: The sensor housing must be connected to earth at one point, either the housing of the sensing head, the electronics module, or the output cable shield termination. To avoid ground loops, please ensure the sensor is grounded at only one of these points.

Electrical Installation

OS-PC (without OS-PC-TSD touch screen module)



Power Supply: Connect the power supply (5 to 27 V DC) to wires 1 (red, +) and 3 (black, Ground)

Analogue Output: Short the inner shield wire 7 (purple) to the ground wire 8 (blue) at the terminal. The analogue output is between wires 6 (green) and 8 (blue).

The minimum sensor power supply voltage depends on the output type being used. Select the output type via RS232C from the following options:

	Minimum supply voltage	Minimum Output	Output Accuracy
No Analogue Output	5 V	-	-
4 to 20 mA (default setting)	Depending on loop impedance: $2\text{ V} + (0.02\text{ A} \times \text{loop impedance } [\Omega])$.	4.0 mA	+/- 0.02 mA
0 to 20 mA		0.2 mA	+/- 0.02 mA
0 to 1 V	5 V	30 mV	+/- 1.5 mV
0 to 5 V	8 V		
0 to 10 V	13 V		
mV / °C	5 V	30 mV (= 30 °C)	+/- 1.5 mV

RS232C Output: Connect the RS232 device to wires 2 (yellow, Receive Data), 3 (black, Signal Ground) and 4 (orange, Transmit Data). The signal ground is common with the 0 V rail of the power supply.

LED Sighting or Alarm Output: Wire 5 (white) can be used either as an alarm output, or as a physical switch for the LED sighting.

By default, the function of this wire is set to Alarm Output, and the LED sighting is set to be continuously on.

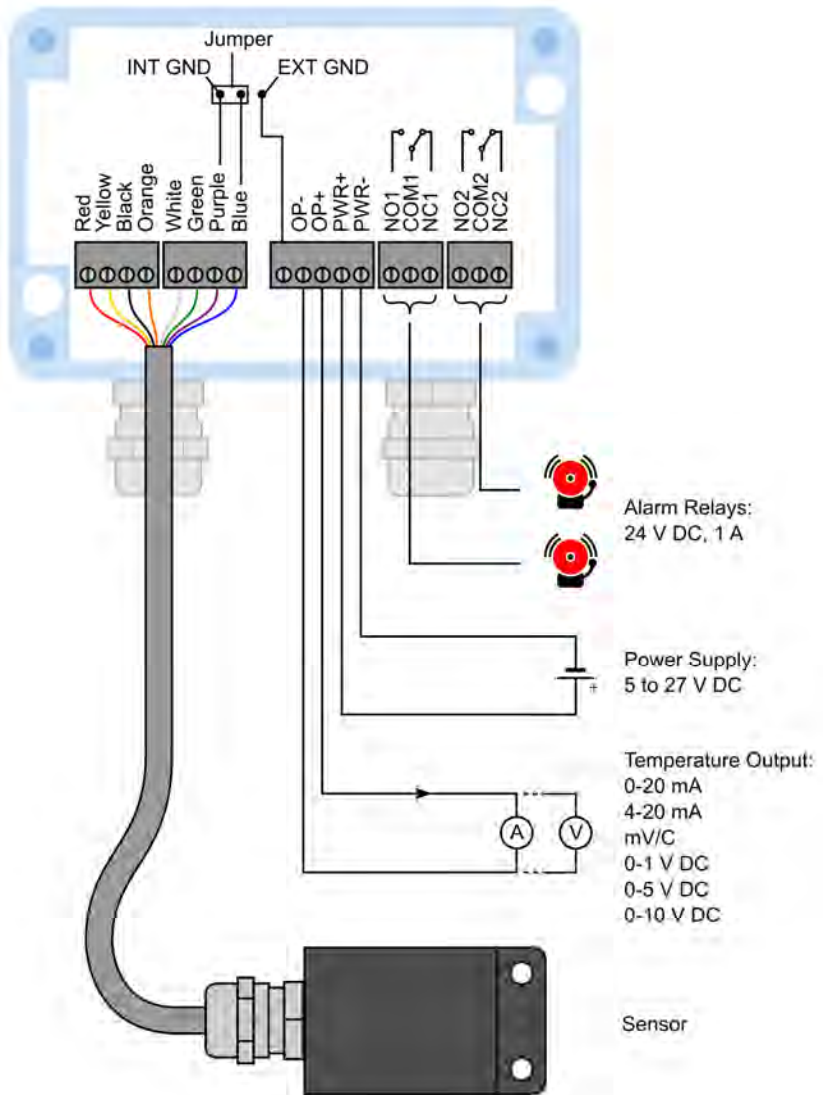
The function of this wire, the alarm settings, and the on/off state of the LED sighting are all configurable via RS232C Modbus.

- For LED sighting: Connect a switch between wires 5 (white) and 3 (black, Ground).

Note: If wire 5 is shorted with ground then the LED light will turn on, regardless of the LED sighting switch setting.

- For Alarm Output: Connect the input of the alarm monitoring device to wire 5 (white). Connect the 0 V (-) terminal of the alarm monitoring device's power supply to wire 3 (black, Ground).

OS-PC-TSD Touch Screen Module



Wiring

The cable is fitted with a male 8-pin Omron e-CON easy-wire connector, and the mating female connector is also supplied. The connectors make it easy to extend the cable and to swap sensors.

You may attach the female connector to your own cable installation, or remove the connectors and wire the sensor into your own terminals directly.

Fitting the Connector

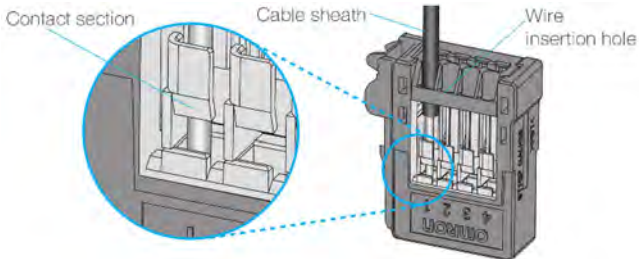
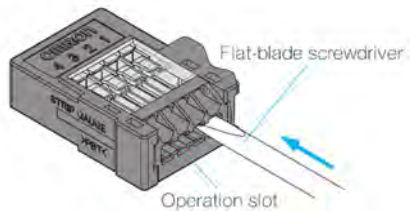
Preparing the Cable

1. Align the cable with the guide marked STRIP GAUGE on the side of the Connector, strip 7 to 8 mm of the cable sheath, and then twist the wires several times.

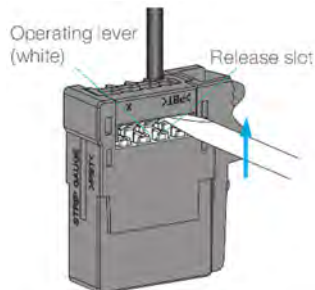


Connecting the Cable to the Connector

1. Use a flat-blade screw-driver to push down the operating lever inside the operation slot until it locks.
2. Insert the wire fully to the back of the wire insertion hole. Make sure that the cable sheath is inserted into the hole, and that the end of the wire has passed through the contact section.



3. Insert the screwdriver into the release slot, and gently pull back the lever until a click is heard by resetting the lever.

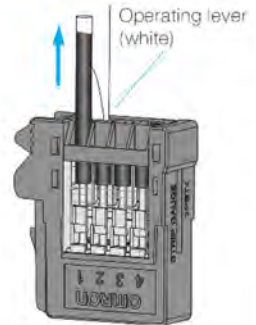


4. Make sure that the following operations have been performed.
 - Check that the operating lever is reset
 - Check that the procedure in step 2 has been followed. (Pull gently on the cable to make sure that there is resistance, indicating that the connectors are wired correctly.)



Removing the Connector

1. Insert a small flat-bladed screwdriver into the operation slot and press down on the operating lever until it locks.
2. Pull the cable out of the connector.
3. Reset the operating lever by inserting the screwdriver into the release slot and gently pulling back the lever until it clicks.



Modbus over Serial Line (RS232C)

Interface

Baud rate	4800, 9600, 19200, 38400, 57600, 115200 (default 9600)
Data Length	8 bits
Parity	None, Odd, Even (default None)
Stop bits	1, 2 (default 2)

Supported Functions

Read register	0x03
Write single register	0x06

The list below includes all available addresses:

R = Read

W = Write

<u>Address</u>	<u>Description</u>	<u>R/W</u>
0x0040	Thermometer firmware version	R
0x0100	Measured Temperature - Unfiltered	R
0x0101	Status bits 0..3 : Out of Range Indication 0 = Temperature within limits 1 = Temperature > Maximum 2 = Temperature < Minimum bits 4..7 : Alarm State 0 = No Alarm 1 = Alarm triggered bits 8..11 : Sample Hold State 0 = No sample hold 1 = Holding sample bits 12..15 : Peak Hold State 0 = No peak hold 1 = Hold value indicated 2 = Hold value on analogue output 3 = Hold value indicated and on analogue output	R
0x0102	Measured Temperature - Hold Value	R
0x0103	Emissivity Setting 50 (0.050) ~ 1000 (1.000)	R
0x0120	Alarm High Setpoint	R/W
0x0121	Alarm Low Setpoint	R/W
0x0122	Peak Hold ON/OFF	R/W

	0 = OFF 1 = ON	
0x0123	Sample Hold ON/OFF 0 = OFF 1 = ON	R/W
0x0124	Smoothing Time 0 = 0.0001 seconds 1 = 0.0002 seconds 2 = 0.0005 seconds 3 = 0.0010 seconds 4 = 0.0020 seconds 5 = 0.0050 seconds 6 = 0.0100 seconds 7 = 0.0200 seconds 8 = 0.0500 seconds 9 = 0.1000 seconds 10 = 0.2000 seconds 11 = 0.5000 seconds 12 = 1.0000 seconds 13 = 2.0000 seconds 14 = 5.0000 seconds	R/W
0x0125	LED Sight Lamp ON/OFF 0 = OFF 1 = ON	R/W
0x0201	External Pin Function 0 = Alarm 1 = External Sight Lamp Control	R/W
0x0202	Sight Lamp Control 0 = Fixed OFF 1 = ON / OFF 2 = Fixed ON	R/W
0x0208	Ambient Reflection ON/OFF 0 = OFF 1 = ON	R/W
0x0209	Alarm Hysteresis range 0 (0.0) ~ 999 (99.9)	R/W
0x020A	Alarm Mode 0 = High ON 1 = High OFF 2 = Low ON 3 = Low OFF 4 = Range ON 5 = Range OFF 6 = Error ON 7 = Error OFF	R/W
0x020C	Alarm Temperature 0 = Measured Temperature - Unfiltered 1 = Measured Temperature - Hold Value	R/W
0x020D	Peak Hold Reset Type 0 = Time 1 = External 2 = Discharge	R/W
0x020E	Peak Hold Reset Time / Discharge Time	R/W

	1 (0.01 seconds) ~ 1000 (10.00 seconds)	
0x020F	Peak Hold Discharge Level 20 (0.20) ~ 100 (1.00)	R/W
0x0210	Peak Hold Output 0 = Indication Only 1 = Indication & Analogue Output 2 = Indication & Analogue Output 3 = Analogue Output Only	R/W
0x0211	Peak Hold - Polarity of External Reset Signal 0 = Positive 1 = Negative	R/W
0x0212	Sample Hold Output 0 = Indication Only 1 = Indication & Analogue Output 2 = Indication & Analogue Output 3 = Analogue Output Only	R/W
0x0213	Sample Hold - Polarity of External Reset Signal 0 = Positive 1 = Negative	R/W
0x0214	Analogue Output Type 0 = 4 ~ 20mA 1 = 0 ~ 20mA 2 = 0 ~ 1V 3 = mV / °C 4 = No Output	R/W
0x0215	Analogue Output Upper Limit	R/W
0x0216	Analogue Output Lower Limit	R/W
0x0217	Analogue Output Polarity On Error 0 = Untreated 1 = High 2 = Low	R/W
0x021B	Sensor Correction Span 500 (0.500) ~ 2000 (2.000)	R/W
0x021C	Sensor Correction Offset -500 (-50.0) ~ 500 (50.0)	R/W
0x021E	Communication Speed 0 = 1200 bps 1 = 2400 bps 2 = 4800 bps 3 = 9600 bps 4 = 19200 bps 5 = 38400 bps 6 = 57600 bps 7 = 115200 bps	R/W
0x021F	Parity Bit 0 = None 1 = Even 2 = Odd	R/W
0x0220	Stop Bits 0 = 1 stop bit 1 = 2 stop bits	R/W

0x0300	Emissivity Setting (written to permanent memory) 50 (0.050) ~ 1000 (1.000)	R/W
0x0301	Emissivity Setting (not written to permanent memory) 50 (0.050) ~ 1000 (1.000)	R/W
0x0302	Teach Emissivity (write known temperature to calculate correct Emissivity setting)	W
0x0303	Reflected Energy Value (written to permanent memory) -1999 ~ 9999	R/W
0x0304	Reflected Energy Value (not written to permanent memory) -1999 ~ 9999	R/W
0x0305	Teach Reflected Energy Value (write known temperature to calculate correct Reflected Energy Value setting)	W
0x0306	Reset to default values (write 1)	W

Operation

Once the sensor is in position and the appropriate power, air and cable connections are secure, the system is ready for continuous operation by completing the following simple steps:

1. Turn on the sensor power supply
2. Turn on the connected instrumentation
3. Read, monitor or log the temperature

Important

Be aware of the following when using the sensor:

- If the sensor is exposed to significant changes in ambient temperature (hot to cold, or cold to hot), allow 20 minutes for the temperature to stabilise before taking or recording measurements.
- When power is switched on, allow the sensor to warm up for 1 minute before taking or recording measurements.
- Do not operate the sensor near large electromagnetic fields (e.g. around arc welders or induction heaters). Electromagnetic interference can cause measurement errors.
- Wires must be connected only to the appropriate terminals.

Viewing through a window

The sensor is capable of measuring the temperature of a target through a window made of a suitable infrared-transmissive material. The emissivity setting of the sensor should be adjusted to compensate for the presence of the window. Please contact Omega for more information on using the sensor with a window.

Maintenance

Our customer service representatives are available for application assistance, calibration, repair, and solutions to specific problems. Contact our Service Department before returning any equipment.

In many cases, problems can be solved over the telephone. If the sensor is not performing as it should, try to match the symptom below to the problem. If the table does not help, call Omega for further advice.

Troubleshooting		
Symptom	Probable Cause	Solution
No output	No power to sensor	Check power supply
Erroneous temperature	Incorrect wire connection	Check wire colour codes
Erroneous temperature	Faulty sensor cable	Verify cable continuity
Erroneous temperature	Field of view obstruction	Remove obstruction

Lens cleaning

The lens must be kept clean and dry for maximum accuracy. Check the condition of the lens regularly.

If the lens has become dirty, the measurement accuracy will be affected. Blow off loose particles (if not using the air purge accessory) with an air “puffer”.

Password

The default password is 1234. The password may be changed via the interface.

WARRANTY/DISCLAIMER

OMEGA ENGINEERING, INC. warrants this unit to be free of defects in materials and workmanship for a period of **13 months** from date of purchase. OMEGA's WARRANTY adds an additional one (1) month grace period to the normal **one (1) year product warranty** to cover handling and shipping time. This ensures that OMEGA's customers receive maximum coverage on each product.

If the unit malfunctions, it must be returned to the factory for evaluation. OMEGA's Customer Service Department will issue an Authorized Return (AR) number immediately upon phone or written request. Upon examination by OMEGA, if the unit is found to be defective, it will be repaired or replaced at no charge. OMEGA's WARRANTY does not apply to defects resulting from any action of the purchaser, including but not limited to mishandling, improper interfacing, operation outside of design limits, improper repair, or unauthorized modification. This WARRANTY is VOID if the unit shows evidence of having been tampered with or shows evidence of having been damaged as a result of excessive corrosion; or current, heat, moisture or vibration; improper specification; misapplication; misuse or other operating conditions outside of OMEGA's control. Components in which wear is not warranted, include but are not limited to contact points, fuses, and triacs.

OMEGA is pleased to offer suggestions on the use of its various products. However, OMEGA neither assumes responsibility for any omissions or errors nor assumes liability for any damages that result from the use of its products in accordance with information provided by OMEGA, either verbal or written. OMEGA warrants only that the parts manufactured by the company will be as specified and free of defects. OMEGA MAKES NO OTHER WARRANTIES OR REPRESENTATIONS OF ANY KIND WHATSOEVER, EXPRESSED OR IMPLIED, EXCEPT THAT OF TITLE, AND ALL IMPLIED WARRANTIES INCLUDING ANY WARRANTY OF MERCHANTABILITY AND FITNESS FOR A PARTICULAR PURPOSE ARE HEREBY DISCLAIMED. LIMITATION OF LIABILITY: The remedies of purchaser set forth herein are exclusive, and the total liability of OMEGA with respect to this order, whether based on contract, warranty, negligence, indemnification, strict liability or otherwise, shall not exceed the purchase price of the component upon which liability is based. In no event shall OMEGA be liable for consequential, incidental or special damages.

CONDITIONS: Equipment sold by OMEGA is not intended to be used, nor shall it be used: (1) as a "Basic Component" under 10 CFR 21 (NRC), used in or with any nuclear installation or activity; or (2) in medical applications or used on humans. Should any Product(s) be used in or with any nuclear installation or activity, medical application, used on humans, or misused in any way, OMEGA assumes no responsibility as set forth in our basic WARRANTY/DISCLAIMER language, and, additionally, purchaser will indemnify OMEGA and hold OMEGA harmless from any liability or damage whatsoever arising out of the use of the Product(s) in such a manner.

RETURN REQUESTS/INQUIRIES

Direct all warranty and repair requests/inquiries to the OMEGA Customer Service Department. BEFORE RETURNING ANY PRODUCT(S) TO OMEGA, PURCHASER MUST OBTAIN AN AUTHORIZED RETURN (AR) NUMBER FROM OMEGA'S CUSTOMER SERVICE DEPARTMENT (IN ORDER TO AVOID PROCESSING DELAYS). The assigned AR number should then be marked on the outside of the return package and on any correspondence.

The purchaser is responsible for shipping charges, freight, insurance and proper packaging to prevent breakage in transit.

FOR **WARRANTY** RETURNS, please have the following information available BEFORE contacting OMEGA:

1. Purchase Order number under which the product was PURCHASED,
2. Model and serial number of the product under warranty, and
3. Repair instructions and/or specific problems relative to the product.

FOR **NON-WARRANTY** REPAIRS, consult OMEGA for current repair charges. Have the following information available BEFORE contacting OMEGA:

1. Purchase Order number to cover the COST of the repair,
2. Model and serial number of the product, and
3. Repair instructions and/or specific problems relative to the product.

OMEGA's policy is to make running changes, not model changes, whenever an improvement is possible. This affords our customers the latest in technology and engineering.

OMEGA is a registered trademark of OMEGA ENGINEERING, INC.

© Copyright 2015 OMEGA ENGINEERING, INC. All rights reserved. This document may not be copied, photocopied, reproduced, translated, or reduced to any electronic medium or machine-readable form, in whole or in part, without the prior written consent of OMEGA ENGINEERING, INC.

Where Do I Find Everything I Need for Process Measurement and Control? **OMEGA...Of Course!** *Shop online at omega.comSM*

TEMPERATURE

- ☑ Thermocouple, RTD & Thermistor Probes, Connectors, Panels & Assemblies
- ☑ Wire: Thermocouple, RTD & Thermistor
- ☑ Calibrators & Ice Point References
- ☑ Recorders, Controllers & Process Monitors
- ☑ Infrared Pyrometers

PRESSURE, STRAIN AND FORCE

- ☑ Transducers & Strain Gages
- ☑ Load Cells & Pressure Gages
- ☑ Displacement Transducers
- ☑ Instrumentation & Accessories

FLOW/LEVEL

- ☑ Rotameters, Gas Mass Flowmeters & Flow Computers
- ☑ Air Velocity Indicators
- ☑ Turbine/Paddlewheel Systems
- ☑ Totalizers & Batch Controllers

pH/CONDUCTIVITY

- ☑ pH Electrodes, Testers & Accessories
- ☑ Benchtop/Laboratory Meters
- ☑ Controllers, Calibrators, Simulators & Pumps
- ☑ Industrial pH & Conductivity Equipment

DATA ACQUISITION

- ☑ Data Acquisition & Engineering Software
- ☑ Communications-Based Acquisition Systems
- ☑ Plug-in Cards for Apple, IBM & Compatibles
- ☑ Data Logging Systems
- ☑ Recorders, Printers & Plotters

HEATERS

- ☑ Heating Cable
- ☑ Cartridge & Strip Heaters
- ☑ Immersion & Band Heaters
- ☑ Flexible Heaters
- ☑ Laboratory Heaters

ENVIRONMENTAL MONITORING AND CONTROL

- ☑ Metering & Control Instrumentation
- ☑ Refractometers
- ☑ Pumps & Tubing
- ☑ Air, Soil & Water Monitors
- ☑ Industrial Water & Wastewater Treatment
- ☑ pH, Conductivity & Dissolved Oxygen Instruments