

KTH600

Temperature and Humidity Transmitter



Description

KTH600 temperature and humidity transmitters can be used to measure relative humidity and temperature in various HVAC applications, as well as monitor building energy management systems.

KTH600 uses a split-type remote probe, the probe removal and replacement can be easily completed without adjusting the transmitter.

KTH600 series temperature and humidity transmitters are easy to install, have high accuracy, stable and reliable operation, and are ideal for various harsh environments.

Features

- LCD display
 - Large size backlight display
- Shell connected by hinge
 - More convenient wiring and setting
- M16 M20 double cable gland
 - Cable size $\varnothing 5 \dots 12 \text{mm}$
- Smooth and flat surface
 - Prevent the pollution of the shell surface in harsh environment
- IP65/NEMA4

Applications

- HVAC system
- Greenhouse
- Food transportation
- Cold storage and refrigeration
- Clean room environment monitoring



Technical Data

Model	KTH600
Power supply	16-30V DC (2 wire 4-20mA) / 16-30V AC or V DC (0-5V/0-10V/RS 485)
Output	4-20mA / 0-5V / 0-10V/ RS 485
Operating temp	-35 ... +70 °C
Storage temp	-40 ... +60 °C
Operating humidity	0 ... 100 %RH
Temperature range	DIP switch
Display	Backlight LCD
Maximum wind / Flow speed	30 m/s
Electromagnetic compliance	EN61326-1, Industrial Environment
Housing material	PC+ABS (UL-V0 approved)
Ingress protection	IP65 / NEMA 4
Cable gland	M16*1.5 / M20*1.5
Probe Cable	PVC 1.5/3m
Measurement performance-Temperature	
Measurement range	-35 ... +80 °C
Accuracy	± 0.3 °C (20-60 °C)
Temperature dependence	± 0.01 °C/°C
Measurement performance-Humidity	
Measurement range	0 ... 100 %RH
Accuracy	$\pm 2\%$ (0-90% @25 °C) / $\pm 3\%$ (90-100% @25 °C)
Stability in typical HVAC applications	± 1 %RH/year

KTH600

Temperature and Humidity Transmitter



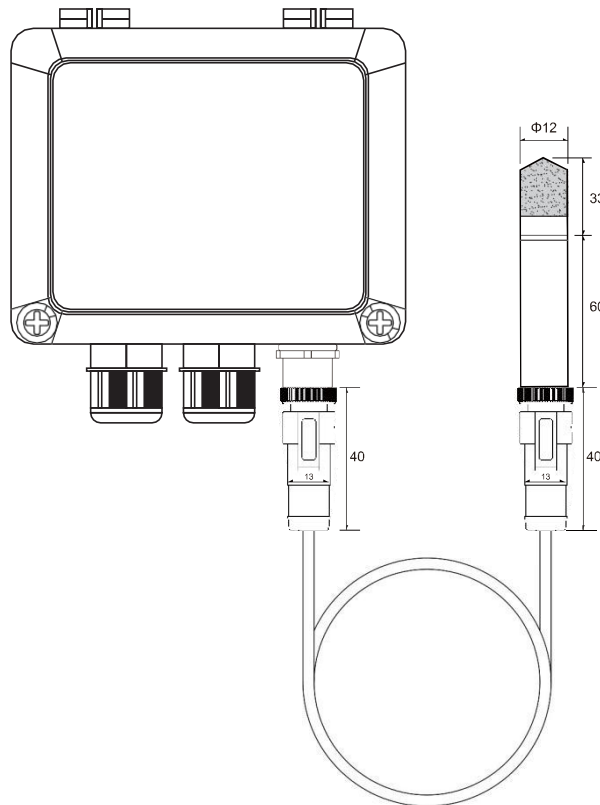
Notes On Disposal



Product Certification



Dimensions (mm)



Measuring Range Adjustment

ON	ON	ON	ON
1 2	1 2	1 2	1 2
-35 ... +75 °C	-35 ... +35 °C	0 ... +50 °C	0 ... +80 °C

Output Setting (3-wire Model)

ON	ON	ON
3 4	3 4	3 4
0-5V	0-10V	4-20mA



To configure the transmitter, it must not be energized. Then, you can make the settings required, with the DIP switches. When the transmitter is configured, you can power it up.

KTH600

Temperature and Humidity Transmitter



Ordering Guide

KTH600	Output		Display		Cable length		Filter	
Model	Output		Display		Cable length		Filter	
KTH600	4-20mA(2 Wire)	(E)	Display	(D)	1m	(10)		
	4-20mA(3 Wire)	(F)	No Display	(X)	3m	(30)	Stainless	(S)
	0-5V/0-10V(3 Wire)	(G)						
	RS485	(H)						

Order Examples

KTH600-ED10S

Model	KTH600 Temperature and Humidity Transmitter
Analog output	4-20mA(2 Wire)
Display	Backlight LCD
Filter	1m
Probe Cable	Stainless steel