

## EXPRESS COOLING STICKS

Supply and Return Sticks designed in the most popular configuration for rapid construction

By eliminating extra bushings, pipe nipples, tees – and the extra joints – the Plast-O-Matic Express Cooling Water Stick tests 1300% stronger than a typical contractor installation



PHOTOS ARE REPRESENTATIVE  
APPEARANCE VARIES BY SIZE & COMPONENT SELECTION



### SUPERIOR FEATURES

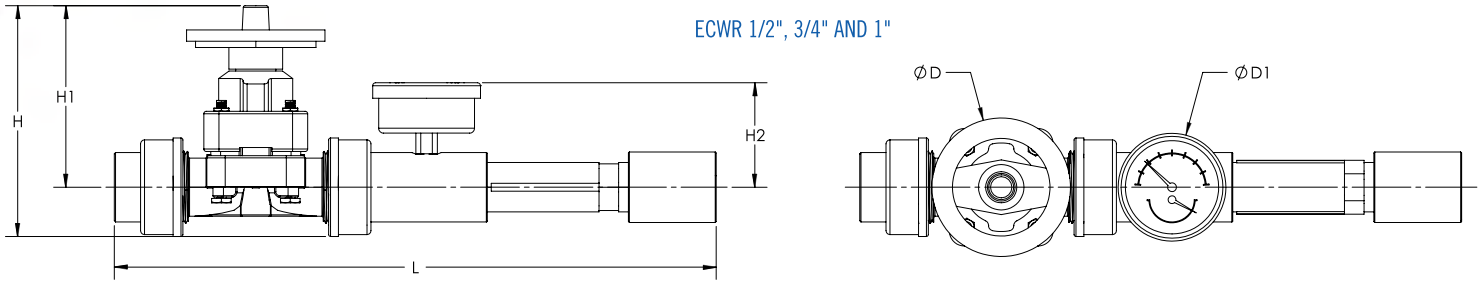
- ½" through 2" pipe sizes
- All sticks are reinforced to minimize possibility of damage
- PVC or CPVC body materials
- Socket end connectors, and EPDM standard
- Wetted metals on gauge or tridicator, and flow meter (stainless steel)
- All units built in USA and individually tested

**Supply Stick:** Premium pressure regulator, pressure gauge or tridicator, and quarter-turn trunnion design ball valve in a compact, rugged design. Pressure regulator offers set pressure range from 5 to 125 psi. Union (not shown above) enables the gauge to be rotated for convenient viewing.

**Return Stick:** Diaphragm valve, pressure and temperature gauge, and in-line flow meter with visual indicators in a small footprint stick. Gauge face and flow meter are aligned for quick, at-a-glance reading. Flow meter range must be specified. Note that 1½" and 2" sizes have union nut connections to improve alignment and serviceability. For alternate configurations, please refer to PCW Series.

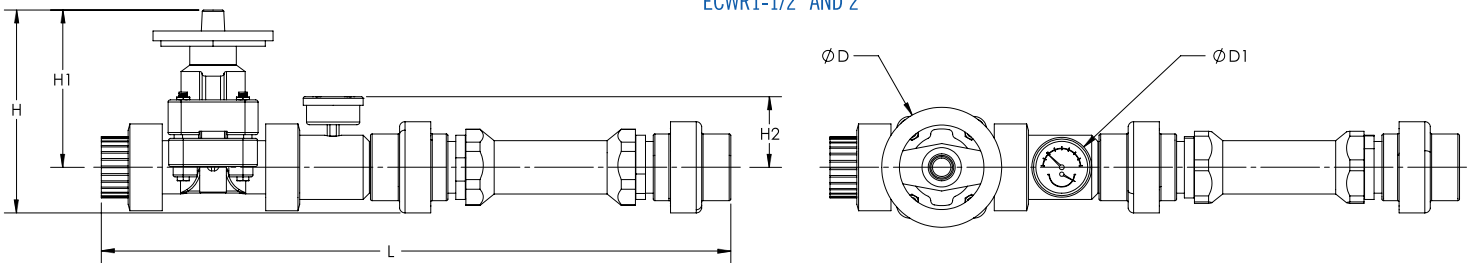
### ECWR

ECWR 1/2", 3/4" AND 1"



MODEL	SIZE	L		H		H1		H2		ØD		ØD1	
	IN.	IN.	MM.	IN.	MM.	IN.	MM.	IN.	MM.	IN.	MM.	IN.	MM.
ECWR050XX-X-PV	1/2	15.3	388	5.9	150	4.6	118	2.8	71	3.5	90	2.8	70
ECWR075XX-X-PV	3/4	15.3	388	5.9	150	4.6	118	2.8	71	3.5	90	2.8	70
ECWR100XX-X-PV	1	15.3	388	5.9	150	4.6	118	2.8	71	3.5	90	2.8	70
ECWR150XX-X-PV	1-1/2	28.5	724	7.6	193	5.5	139	3.3	84	4.6	118	2.8	70
ECWR200XX-X-PV	2	28.9	734	9.3	237	7.2	184	3.2	82	5.5	140	2.8	70

ECWR1-1/2" AND 2"



Note: All dimensions on the 1/2" and 3/4" ECWR assemblies were changed on 4/14/2022.

Dimension "L" changed on 1 1/2" model from 23.7/601 and on 2" model from 24.1/612 on 10/5/2020.

## ORDERING INFO

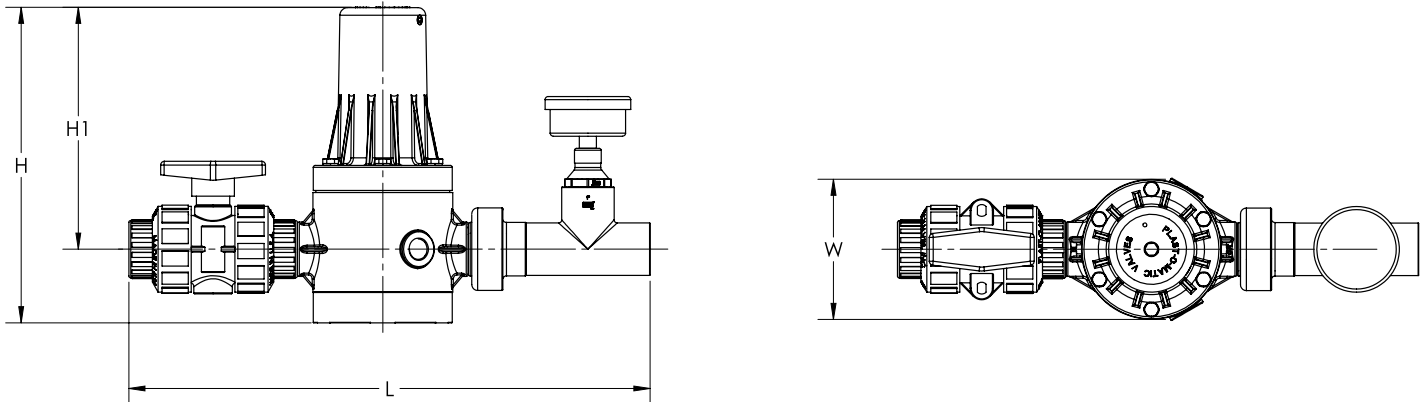
Return Side – Manual Diaphragm Valve,  
Pressure/Temperature Tridicator, Flowmeter

Pipe Size	PVC	Flow Meter	
1/2"	ECWR050EPS-X-PV	A – 0.5-4 GPM	} 1/2" - 1" Sizes
3/4"	ECWR075EPS-X-PV	B – 1.0-7 GPM	
1"	ECWR100EPS-X-PV	C – 1.0-10 GPM	
1 1/2"	ECWR150EPS-X-PV	D – 3.0-16 GPM	
2"	ECWR200EPS-X-PV	F – 4.0-28 GPM	} 1 1/2" - 2" Sizes
		G – 2.0-25 GPM	
		H – 5.0-50 GPM	
		I – 7.0-75 GPM	

Models shown with PVC body, EPDM seals, socket connection. For CPVC, change -PV to -CP.

NOTE: Must replace "X" with letter indicating flow meter range from chart.

### ECWS



MODEL	SIZE		L		H		H1		W	
	IN.	IN.	MM.	IN.	MM.	IN.	MM.	IN.	MM.	
ECWS050XX-PV	1/2"	11.8	299	8.6	219	6.6	168	3	76.2	
ECWS075XX-PV	3/4"	15	377	10.5	258	7.8	198	4.6	116	
ECWS100XX-PV	1"	16.8	426	10.2	258	7.8	198	4.6	116	
ECWS150XX-PV	1-1/2"	19.2	488	12	304	9	228	4.9	124	
ECWS200XX-PV	2"	21	532	12	304	9	228	4.9	124	

**Note:** Configuration of ECWS (all sizes) changed on 10/12/2022. Union added to regulator outlet 02/01/2024.

## ORDERING INFO

Supply Side – PRHM Pressure Regulator, MBV Ball Valve, Pressure Gauge or Tridicator

Pipe Size	PVC w/ Pressure Gauge	PVC w/ Tridicator
1/2"	ECWS050EPS-PV	ECWST050EPS-PV
3/4"	ECWS075EPS-PV	ECWST075EPS-PV
1"	ECWS100EPS-PV	ECWST100EPS-PV
1 1/2"	ECWS150EPS-PV	ECWST150EPS-PV
2"	ECWS200EPS-PV	ECWST200EPS-PV

Models shown with PVC body, EPDM seals, socket connection. For CPVC, change -PV to -CP. 0-100 PSI Plast-O-Matic Pressure Gauge is center back mounted to regulator.



### MORE VALVES & CONTROLS

#### FLOW CONTROL VALVES



**Series FC**  
Internal snubber and orifice plate maintains constant, pre-set flow despite pressure fluctuations. Flow rate is tamper-proof and available from ¼ GPM to 1 GPM.  
¼", ½", ¾", 1"

#### PULSATION DAMPENER/ SUPPRESSOR



**Series PDS**  
Performs six functions to improve system performance: Pulsation Dampener smooths pump flow, Surge Suppressor absorbs vibrations, Water Hammer Arrestor, Inlet Stabilizer enhances pump operation, Accumulator releases stored fluid during unwanted pressure drops, Expansion Tank protects system from thermal volume increases. 10, 50 and 180 cubic inch capacity in 1", 2", 3" connection, respectively.  
PVC, CPVC, PP, PVDF

#### SOLENOID VALVES



**Series EASYMT/EASMT**  
Normally-closed design/energize to open. Million-cycle design featuring PTFE bellows; direct acting. Available with choice of rectified coil or rectified 'Z-Cool' energy saving 24 watt coil. 120/60, 24/60, 240/60 AC or 24V DC ¼", ½", ¾", 1" sizes with ⅜" - 1½" main orifice  
PVC, CPVC, GPP, PVDF



**Series EAST**  
Compact, normally-closed design/energize to open. Million-cycle design featuring PTFE bellows; direct acting. Available with 11 watt, NEMA 4X coil.  
120/60, 24/60, 240/60, 230/50 AC or 24V DC ¼", ½" sizes with ⅜" or ¼" main orifice  
PVC, PP, PVDF



**PS**  
Pilot-operated, normally-closed design/energize to open. Million-cycle high flow rate valve features PTFE bellows; require pressure differential to function. Available with 11 watt, NEMA 4X coil.  
120/60, 24/60, 240/60, 230/50 AC or 24V DC ¼", ½", ¾", 1", 1 ½", 2", 3"  
PVC, CPVC, PP, PVDF

#### SHUTOFF VALVES



**Series BSDA/BSDAM**  
Air operated, compact PTFE diaphragm valve for drain applications and pressures to 100 PSI.  
¼", ½", ¾", 1", 1 ½"  
PVC, CPVC, PP, PVDF, PTFE



**Series BSR**  
Air operated, balanced shaft design assures bubble tight shutoff with automatic spring return.  
½", ¾"  
PVC, PP



**Series MFR**  
Hand or foot operated manual valve. Press to open, automatic spring return closure.  
½", ¾"  
PVC

#### GAUGE GUARDS & INSTRUMENTATION



**Series GGS**  
Heavy duty instrument isolator; ½" process connection with steel reinforced ¼" instrument connection. Available with or without pressure or vacuum gauges. Standard instrument has 2 ½" gauge face with stainless steel case. Options include center back mount, acrylic shield for harsh environments, snubber, liquid filled face. PVC, CPVC, GPP, PP, PVDF



**Series GGMU**  
Ultrapure, zero deadleg instrument isolator with spigot connections. Available with or without pressure gauge. Standard instrument has 2 ½" gauge face with stainless steel case. Options include DI water fill and high purity clean/double bag procedure. PVC, PP, PVDF



**Series PT**  
Combination 0-160 PSI pressure and 0-180°F temperature 'Tridicator' gauge. Brass connection with 2 ½" gauge face or stainless steel connection with 3" gauge face.



**Series SWT**  
PTFE diaphragm pressure switch features no wetted metals or elastomers. 16, 25, or 3 Amp models.  
PVC, CPVC, PP, PVDF



**Series CC**  
Calibration columns feature 100% UV-resistant PVC; remain clear and easy-to-read for years. Rapid fill rates and longer testing periods improve efficiency and accuracy.  
100, 250, 500, 1000, 2000 and 4000 ML

#### SIGHT GLASSES & LEVEL INDICATORS



**Series GX**  
Single-wall sight glass for liquids compatible with acrylic. Fluttering streamers optional.  
½", ¾", 1", 1 ¼", 1 ½", 2", 3"  
PVC, PP



**Series GY**  
Double-wall sight glass for liquids compatible with Pyrex inner wall. Fluttering streamers optional.  
½", ¾", 1", 1 ¼", 1 ½", 2", 3"  
PVC, PP



**Series GYW**  
Double-wall sight glass for liquids compatible with Pyrex inner wall. Flange connections; fluttering device optional.  
1 ½", 2", 3", 4", 6", 8"  
PVC, CPVC, PP, PVDF, PTFE