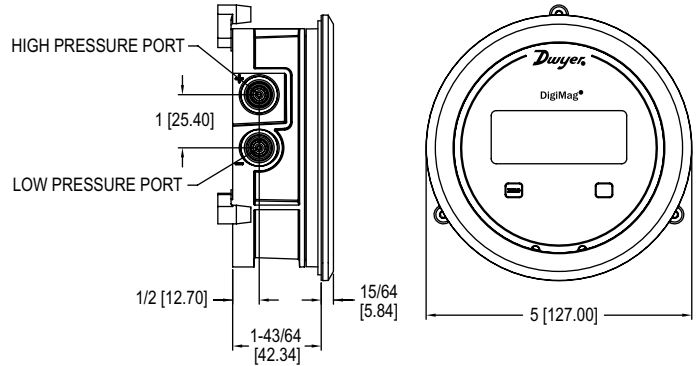


DIGIMAG[®] DIFFERENTIAL PRESSURE TRANSMITTER

Same Size as Standard Magnehelic[®] Differential Pressure Gage

CALIBRATION SERVICES AVAILABLE



The **Series DM DigiMag[®] Differential Pressure Transmitter** senses the pressure of air and compatible gases and sends a standard 4-20 mA output signal. The DM housing is specifically designed to mount in the same diameter cutout as a standard Magnehelic[®] gage. A wide range of models are available factory calibrated to specific ranges. The polycarbonate molded housing features integral pressure connections, which reduces installation time. Digital push-button zero and span simplify calibration over typical turn-potentiometers. A single push-button allows field selection of 4 to 6 engineering units, depending on the range.

BENEFITS/FEATURES

- Reduced installation time through zero and span controls that provides quick and easy calibration
- Fast and easy setup and calibration with push-button zero and span controls
- Immediate corrective action can be taken by local alerts via the easy-to-read LCD display
- Reduces upgrade installation costs and simplifies field upgrade from a Magnehelic[®] gage, as both use the same diameter cutout

APPLICATIONS

- Differential pressure across filters
- Fan control
- Static pressures in ducts or buildings
- Room pressurization monitoring

SPECIFICATIONS

Service: Air and non-combustible, compatible gases.
Wetted Materials: Consult factory.
Housing Material: Polycarbonate.
Accuracy: ±1% FSO for all ranges except 0.25 in w.c. @ ±2% FSO, and ranges at or below ±0.1 in w.c. @ ±4% FSO.
Stability: < ±1%/year FSO.
Pressure Limits: Ranges > 1 in w.c.: 6 psi max operation, 6 psi burst; Ranges ≤ 1 in w.c.: 3.6 psi max operation, 6 psi burst.
Temperature Limits: -4 to 158°F (-20 to 70°C).
Thermal Effect: 0.036% FS/°C (0.02% FS/°F).
Power Requirements: 10-35 VDC (2-wire).
Output Signal: 4-20 mA (2-wire).
Zero and Span Adjustments: Push-button.
Loop Resistance: 0 to 1250 Ω max.
Current Consumption: 21 mA max.
Electrical Connections: Screw-type terminals.
Process Connections: Male ports on side for 1/8", 3/16", 1/4", 5 mm, 6 mm ID flexible tubing.
Enclosure Rating: NEMA 4X (IP66).
Mounting Orientation: Not sensitive to position.
Size: 5" OD (127 mm) x 1.9" (48 mm) deep.
Weight: 7.04 oz (200 g).
Compliance: CE.

MODEL CHART						
Model	Range					
	in w.c.	Pa	mm w.c.	mBar	kPa	psi
DM-001	0 to .100	24.9	2.54	0.249	-	-
DM-002	0 to .250	62.2	6.35	0.622	-	-
DM-003	0 to .500	124.3	12.7	1.243	0.124	-
DM-004	0 to 1.000	249	25.4	2.49	0.249	-
DM-005	0 to 2.00	497	50.8	4.97	0.497	-
DM-007	0 to 3.00	746	76.2	7.46	0.746	0.108
DM-008	0 to 5.00	1243	127.0	12.43	1.243	0.18
DM-019	-0.05-0-0.20	-12.45 to 49.81	-1.269 to 5.079	-0.12 to 0.49	-	-
DM-201	±0.1 in w.c.	-24.9 to 24.9	-2.53 to 2.53	-0.249 to 0.249	-	-
DM-202	0 to ±.250	0 to ±62.2	0 to ±6.35	0 to ±.622	-	-
DM-203	0 to ±.500	0 to ±124.3	0 to ±12.70	0 to ±1.243	-	-
DM-052	0 to .120	30	3.05	0.3	-	-
DM-053	0 to .240	60	6.11	0.6	-	-
DM-056	0 to 1	250	25.49	2.5	0.25	-
DM-059	0 to 5	1250	127.46	12.5	1.25	0.18
DM-252	-0.120 to 0.120	±30	-3.05 to 3.05	-0.3 to 0.3	-	-
DM-253	-0.240 to 0.240	±60	-6.11 to 6.11	-0.6 to 0.6	-	-
DM-256	-1 to 1	±250	-25.49 to 25.49	-2.5 to 2.5	-0.25 to 0.25	-
DM-259	-5 to 5	±1250	-127.46 to 127.46	-12.50 to 12.50	-1.25 to 1.25	-0.18 to 0.18
DM-082	0 to 0.23	58.83	6	0.58	-	-
DM-282	-0.23 to 0.23	-58.83 to 58.83	±6	-0.58 to 0.58	-	-

ACCESSORIES	
Model	Description
A-299	Surface mounting bracket
A-300	Flat flush mounting bracket
A-302F-A	303 SS static pressure tip with mounting flange, for 3/16" I.D. rubber or plastic tubing. 4" insertion depth, includes mounting screws
A-320-BC	Instrument enclosure
A-489	4" straight static pressure tip with flange 100-240
SCD-PS	VAC/VDC to 24 VDC power supply

OPTIONS	
Use order add suffix:	Description
-FC	Factory calibration certificate
-NIST	NIST traceable calibration certificate
-SS	304 brushed stainless steel bezel
Example: DM-202-FC	