

# KTS110

## Temperature Sensor



### Description

KTS110 series duct mounted sensor is a low-cost temperature sensor specially designed for temperature measurement in HVAC field. It is suitable for building equipment automatic control system (BA system) of commercial buildings and other conventional buildings.

IP65 protection grade is convenient for outdoor measurement at the same time.

### Features

- Range from -40 to +200°C
- Resistance output
- Standard accuracy, see table
- Protection class: IP65 / NEMA 4



### Applications

KTS110 temperature transmitter used for temperature measurement in heating, ventilation and air conditioning systems enabling weather-dependent temperature regulation.

### Technical Data

Model	KTS110
Temperature sensitive element	PT100 Class A Accuracy $\pm(0.15+0.002t)$
	PT 1000 Class A Accuracy $\pm(0.15+0.002t)$
	NTC 10k B3950 Accuracy B:3989K $\pm$ 1%
	NTC 10k B3435 Accuracy B:3435K $\pm$ 1%
	NTC 1k Accuracy B:3500K $\pm$ 1%
	NTC 2k Accuracy B:3977K $\pm$ 0.3%
Response time	<1min, In 3m/s (590ft/min) air duct / < 30s, measuring the liquid in the pipeline
Element connection	2-wire
Media	Air or liquid
Operating temp	-40 ... +110°C (Air duct) / -40 ... +200°C (Liquid pipeline)
Storage temp	-30 ... +70°C
Measuring range	-40 ... +200°C
Housing material	PC & ABS, UL94-V0
Protection	IP65/NEMA 4
Cable gland	M16*1.5

### Notes On Disposal



Most Keram Controls products may contain valuable materials that should be recycled rather than treated as domestic waste. Please pay attention to the relevant regulations of local disposal.

### Product Certification



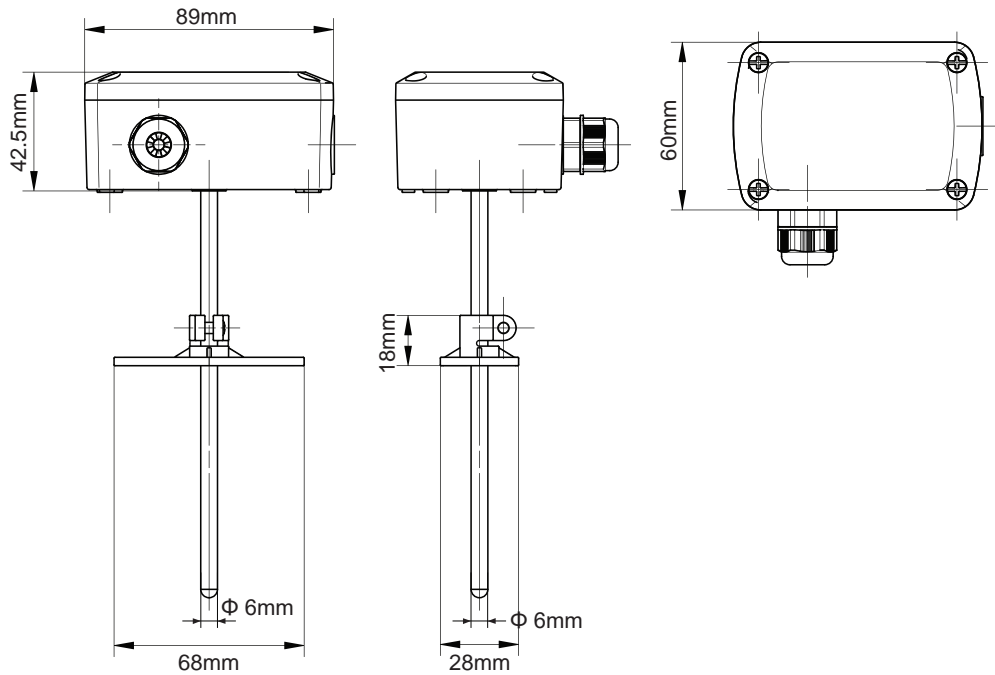
Declaration of conformity  
The declaration of conformity of the products can be found on our website [https://: www.keramcontrols.com](https://www.keramcontrols.com)

# KTS110

## Temperature Transmitter



### ≡ Dimensions (mm)



### ≡ Ordering Guide

KTS110		Element		Probe length	
Model	Element		Probe length		
KTS110	PT100 Class A	(1)	65mm	(A)	
	PT1000 Class A	(2)	120mm	(B)	
	NTC 10k B3950	(3)	150mm	(C)	
	NTC 10k B3435	(4)	300mm	(D)	
	NTC 1k	(5)			
	NTC 2k	(6)			

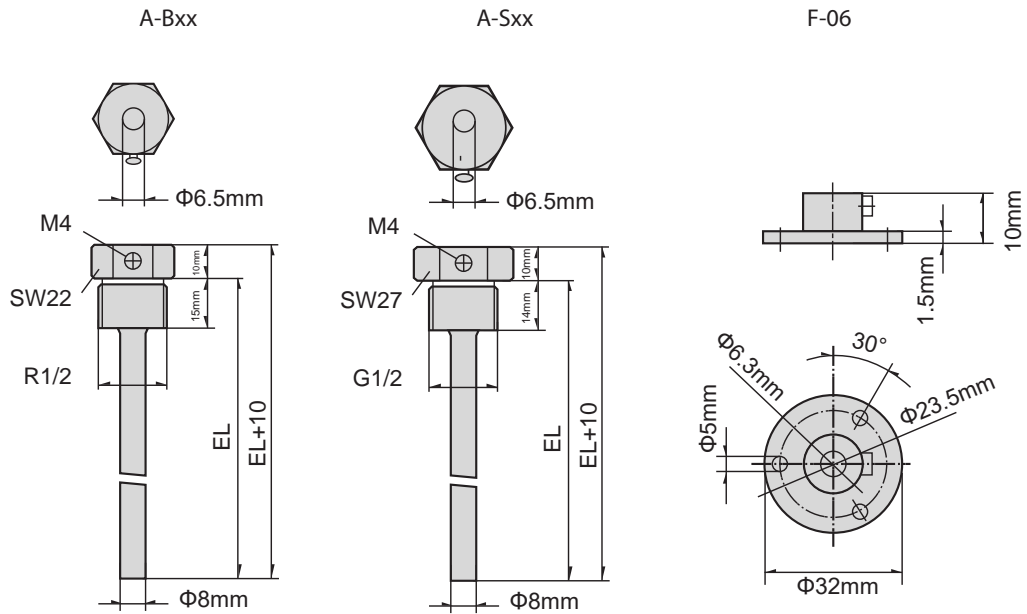
### ≡ Order Examples

#### KTS110-1-D

Model	KTS110 Temperature Sensor
Element	PT100 Class A
Probe length	300mm

≡ **Accessory**

**Dimensional drawing**



# KTS110

## Temperature Transmitter



### Accessories

Model	Immersion sleeve diameter	Material	Pmax	Tmax	Inserted length (EL)
A-B 50MM	8mm	Brass nickel-plated	10bar	150°C	50mm
A-B 100MM					100mm
A-B 150MM					150mm
A-B 200MM					200mm
A-B 250MM					250mm
A-B 300MM					300mm
A-B 350MM					350mm
A-B 400MM					400mm

**NOTE: with neck tube**

Model	Immersion sleeve diameter	Material	Pmax	Tmax	Inserted length (EL)
A-S 50MM	8mm	Stainless steel	40bar	600°C	50mm
A-S 100MM					100mm
A-S 150MM					150mm
A-S 200MM					200mm
A-S 250MM					250mm
A-S 300MM					300mm
A-S 350MM					350mm
A-S 400MM					400mm

**NOTE: with neck tube (90mm)**

Model	Diameter	Tube gland	Tmax	Material
F-06	32mm	6.3mm	700°C	Galvansied steel

**NOTE: with neck tube (90mm)**